

CA-IS36xx High-performance, 5kV_{RMS} Reinforced Digital Isolators with Integrated high-efficiency, Low-emissions DC-DC Converter

1 Features

- **Integrated High-efficiency DC-DC Converter without-chip Transformer**
 - Regulated output options: 3.3 V or 5.0 V
 - Up to 650mW output power
 - Soft-start to limit inrush current and overshoot
 - Overload and short-circuit protection
 - Thermal shutdown
 - Low emissions
- **Robust Galvanic Isolation of Digital Signals**
 - High lifetime: > 40 years
 - Withstands 5kV_{RMS} for 60s
 - ±150 kV/μs typical CMTI
 - Schmitt trigger inputs
- **Interfaces Directly with Most Micros and FPGAs**
 - Data rate: DC to 100Mbps
 - 3V to 5.5V single supply operation, also provide individual logic supply input (CA-IS36xxLVW and CA-IS36xxHVW devices only)
 - Default output *High* (CA-IS364xH) and *Low* (CA-IS362xL, CA-IS364xL) Options
- **Best in class propagation delay and skew**
 - 10ns typical propagation delay
 - 2ns propagation delay skew (chip -to-chip)
 - 1ns pulse width distortion
- **No Start-Up Initialization Required**
- **Wide-body SOIC16-WB(W) package**
- **Wide operating temperature range: -40°C to 125°C**
- **Safety Regulatory Approvals**
 - VDE 0884-17 Reinforced Isolation
 - UL According to UL1577
 - GB 4943.1-2022 certifications

2 Applications

- Industrial automation systems
- Motor control
- Medical equipment
- Test and Measurement

3 General Description

The CA-IS36xx family integrated signal and power isolation devices simplify system design and reduce board area. These devices are high-performance, dual-channel and four-channel, unidirectional reinforced digital isolators with up to 5kV_{RMS} isolation rating and ultra-fast data rate. The integrated isolated DC-DC converter provides up to 650mW of isolated power and different output voltage configurations. These devices offer high electromagnetic immunity and low emissions while isolating different ground domains and block high-voltage/high-current transients from sensitive or human interface circuitry. Each isolation channel has a logic input and output buffer separated by capacitive silicon dioxide (SiO₂) insulation barrier, the integrated Schmitt trigger on each input provide excellent noise immunity.

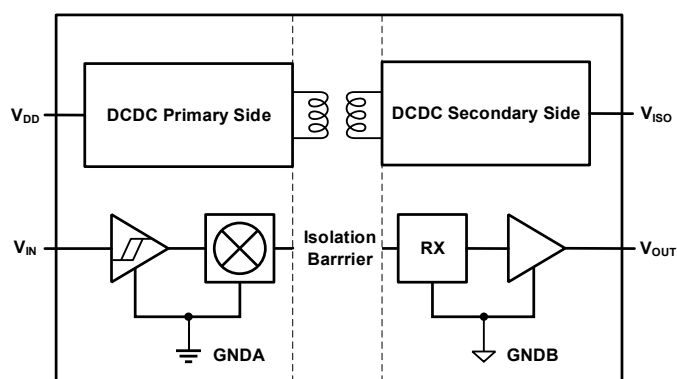
The CA-IS362x devices are dual-channel digital isolators and the CA-IS3640/CA-IS3641/CA-IS3642/CA-IS3643/CA-IS3644 devices are quad-channel digital isolators. They offer all possible unidirectional channel configurations to accommodate any 2-channel or 4-channel digital I/Os design, including SPI, RS-485, and digital I/O applications, see Name Convention for more detail, also Table 5-1 shows the detail configurations of digital signal transmission direction for each part. The CA-IS36xx family also features different default outputs. When the input is either not powered or is open-circuit, the default output is low for devices with suffix L and high for devices with suffix H, see the Ordering Information for suffixes associated with each option. The individual logic supply input of CA-IS36xxLVW and CA-IS36xxHVW devices allows fully compatible +3.3V and +5.0V logic on side-A digital lines.

The CA-IS36xx family devices are specified over the -40°C to +125°C operating temperature range and are available in 16-pin SOIC wide body package.

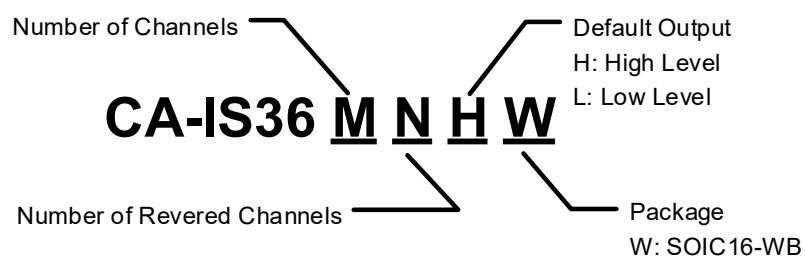
Device Information

PART NUMBER	PACKAGE	BODY SIZE(NOM)
CA-IS3620	SOIC16-WB(W)	10.30 mm × 7.50 mm
CA-IS3621		
CA-IS3640		
CA-IS3641		
CA-IS3642		
CA-IS3643		
CA-IS3644		

Simplified Functional Diagram



4 Name Convention



5 Ordering Information
Table 5-1. Ordering Information

Ordering Part Number	Number of Inputs A Side	Number of Inputs B Side	Default Output	Pin 7	Isolation Rating (KV _{RMS})	Package
CA-IS3620LW	2	0	L	NC	5.0	SOIC16-WB
CA-IS3621LW	1	1	L	NC	5.0	SOIC16-WB
CA-IS3640LW	4	0	L	NC	5.0	SOIC16-WB
CA-IS3640HW	4	0	H	NC	5.0	SOIC16-WB
CA-IS3641LW	3	1	L	NC	5.0	SOIC16-WB
CA-IS3641HW	3	1	H	NC	5.0	SOIC16-WB
CA-IS3642LW	2	2	L	NC	5.0	SOIC16-WB
CA-IS3642HW	2	2	H	NC	5.0	SOIC16-WB
CA-IS3643LW	1	3	L	NC	5.0	SOIC16-WB
CA-IS3643HW	1	3	H	NC	5.0	SOIC16-WB
CA-IS3644LW	0	4	L	NC	5.0	SOIC16-WB
CA-IS3644HW	0	4	H	NC	5.0	SOIC16-WB
CA-IS3621LVW	1	1	L	V _{DDL}	5.0	SOIC16-WB
CA-IS3640LVW	4	0	L	V _{DDL}	5.0	SOIC16-WB
CA-IS3640HVW	4	0	H	V _{DDL}	5.0	SOIC16-WB
CA-IS3641LVW	3	1	L	V _{DDL}	5.0	SOIC16-WB
CA-IS3641HVW	3	1	H	V _{DDL}	5.0	SOIC16-WB
CA-IS3642LVW	2	2	L	V _{DDL}	5.0	SOIC16-WB
CA-IS3642HVW	2	2	H	V _{DDL}	5.0	SOIC16-WB
CA-IS3643LVW	1	3	L	V _{DDL}	5.0	SOIC16-WB
CA-IS3643HVW	1	3	H	V _{DDL}	5.0	SOIC16-WB
CA-IS3644LVW	0	4	L	V _{DDL}	5.0	SOIC16-WB
CA-IS3644HVW	0	4	H	V _{DDL}	5.0	SOIC16-WB

Table of Contents

1	Features	1	8.10	Timing Characteristics.....	19
2	Applications	1	8.11	Typical Characteristics.....	20
3	General Description	1	9	Parameter Measurement Information	25
4	Name Convention	2	10	Detailed Description	26
5	Ordering Information	3	10.1	Overview.....	26
6	Revision History	4	10.2	Functional Block Diagram	26
7	Pin Configuration and Functions	5	10.3	Undervoltage Protection.....	27
8	Specifications	7	10.4	Isolated Supply Output	27
8.1	Absolute Maximum Ratings ^{1,2}	7	10.5	Operation Modes.....	28
8.2	ESD Ratings.....	7	11	Application and Implementation	29
8.3	Recommended Operating Conditions	7	11.1	Typical Application	29
8.4	Thermal Information	7	11.2	PCB Layout Guidelines	30
8.5	Power Rating	7	12	Package Information	32
8.6	Insulation Specifications.....	8	13	Soldering Temperature (reflow) Profile	33
8.7	Safety-Related Certifications	9	14	Tape and Reel Information	34
8.8	Electrical Characteristics	10	15	IMPORTANT NOTICE	36
8.9	Supply Current Characteristics	13			

6 Revision History

Revision Number	Description	Date	Page Changed
Version 1.00	N/A		N/A
Version 1.00	Updated pin descriptions, removed package information table.		5, 30
Version 1.02	Added Bypass Capacitors Selections.		29
Version 1.03	Added PCB Layout Guidelines section.		29
Version 1.04	Added new parts of CA-IS364_VW,		3
	Updated PCB layout Guidelines.		26
	Add supply configuration		29
Version 1.05	Updated VDE and UL certification by adding certification number.	2022.12.19	9
	Update POD		31
Version 1.06	Removed CA-IS362x part number except CA-IS3621LW	2023.03.14	NA
Version 1.07	Updated VDE certification information	2023.09.13	9
Version 1.08	Updated CQC and UL certification information	2024.04.01	9

7 Pin Configuration and Functions

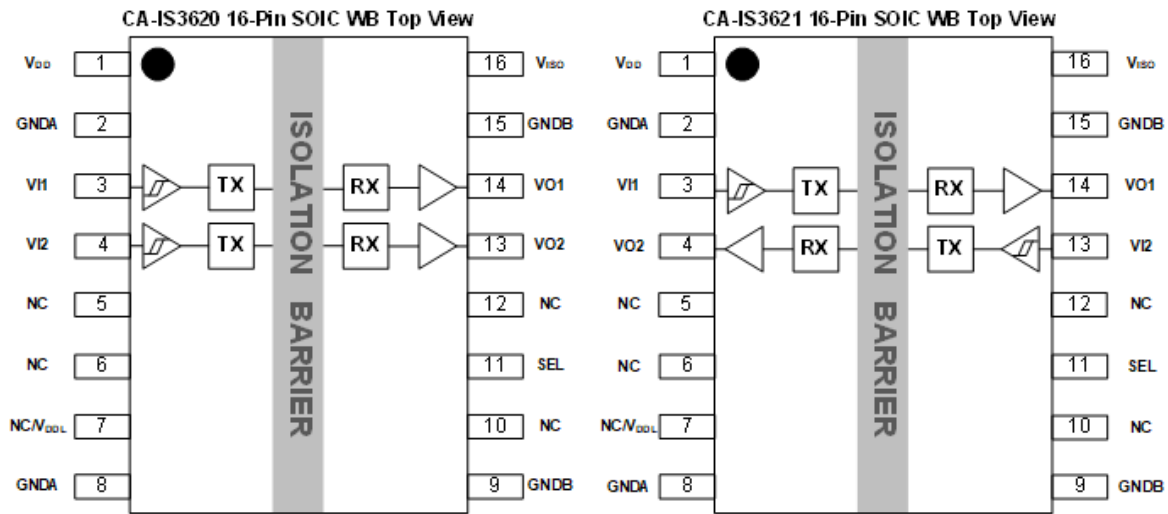


Figure 7-1. CA-IS362x pin configuration

Table 7-1. CA-IS362x Pin Description and Functions

16-SOIC(W) Pin#		Name	Type	Description
CA-IS3620	CA-IS3621			
1	1	V_{DD}	Supply	Power supply for side A. Bypass to GNDA with $10\mu\text{F} \parallel 0.1\mu\text{F}$ capacitors.
2, 8	2, 8	GNDA	Ground	Ground reference for side A.
3	3	VI1	Digital I/O	Digital input 1 on side A/B, corresponds to logic output 1 on side B/A.
4	13	VI2	Digital I/O	Digital input 2 on side A/B, corresponds to logic output 2 on side B/A.
5, 6	5, 6	NC	---	Not internally connected. These pins can be left open or tied to V_{DD} or GNDA.
7	7	NC	---	For the CA-IS362xLW and CA-IS362xHW devices, this pin is NC, means not internally connected. It can be left open or tied to V_{DD} or GNDA.
		V_{DDL}^1	Supply	For the CA-IS362xLWV and CA-IS362xHVV devices, this pin is logic-supply input. V_{DDL} is the logic supply voltage for side-A input/output. Bypass to GNDA with a $0.1\mu\text{F}$ capacitor.
10, 12	10, 12	NC	No Connect	Not internally connected. These pins can be left open or tied to VISO or GNDB.
9, 15	9, 15	GNDB	Ground	Ground reference for side B.
11	11	SEL	Digital I/O	V_{ISO} output selection pin, see Table 10-3. $V_{ISO} = 5\text{ V}$, when SEL is connected to VISO. $V_{ISO} = 3.3\text{ V}$, when SEL is connected to GNDB or left floating.
13	4	VO2	Digital I/O	Digital output 2 on side B/A, VO2 is the logic output for the VI2 input on side A/B.
14	14	VO1	Digital I/O	Digital output 1 on side B/A, VO1 is the logic output for the VI1 input on side A/B.
16	16	V_{ISO}	Supply	Output of the isolated DC-DC converter. Bypass to GNDB with $10\mu\text{F} \parallel 0.1\mu\text{F}$ capacitors. The $0.1\mu\text{F}$ capacitor should be placed as close as possible to the pin.

CA-IS3620, CA-IS3621

CA-IS3640, CA-IS3641, CA-IS3642, CA-IS3643, CA-IS3644

Version 1.08

Shanghai Chipanalog Microelectronics Co., Ltd.

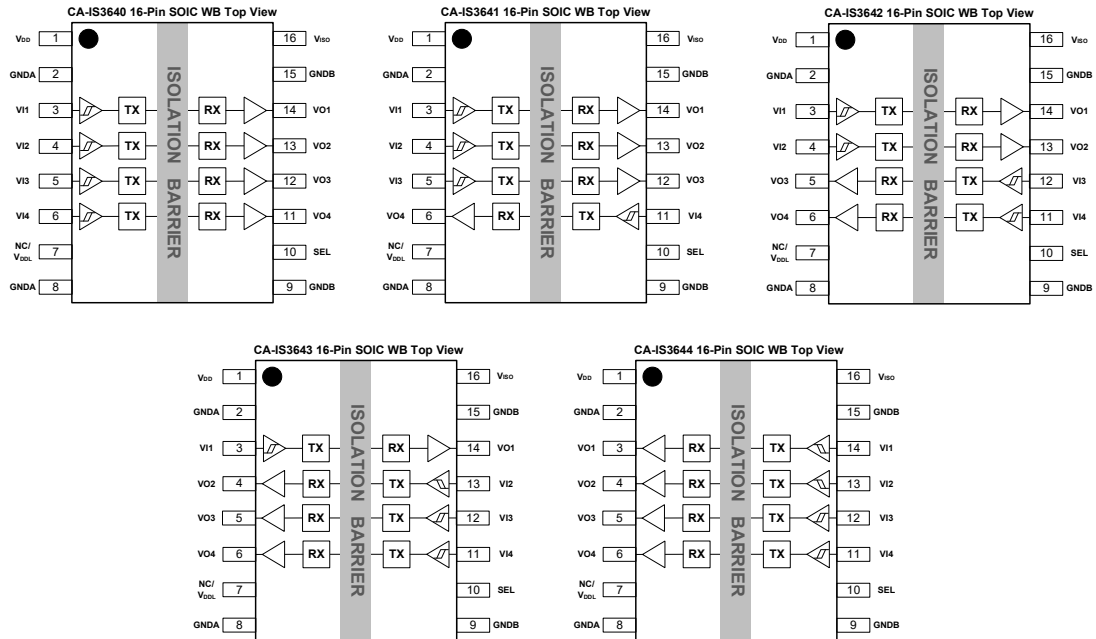


Figure 7-2. CA-IS364x pin configuration

Table 7-2. CA-IS364x Pin Description and Functions

16-SOIC(W) Pin#					Name	Type	Description
CA-IS3640	CA-IS3641	CA-IS3642	CA-IS3643	CA-IS3644			
1	1	1	1	1	V _{DD}	Supply	Power supply for side A. Bypass to GNDA with 10μF 0.1μF capacitors.
2, 8	2, 8	2, 8	2, 8	2, 8	GNDA	Ground	Ground reference for side A.
3	3	3	3	14	VI1	Digital I/O	Digital input 1 on side A/B, corresponds to logic output 1 on side B/A.
4	4	4	13	13	VI2	Digital I/O	Digital input 2 on side A/B, corresponds to logic output 2 on side B/A.
5	5	12	12	12	VI3	Digital I/O	Digital input 3 on side A/B, corresponds to logic output 3 on side B/A.
6	11	11	11	11	VI4	Digital I/O	Digital input 4 on side A/B, corresponds to logic output 4 on side B/A.
7	7	7	7	7	NC	---	Not internally connected for the CA-IS364xLW and CA-IS364xHW devices.
					V _{DDL} ¹	Supply	For the CA-IS364xLVW and CA-IS364xHVV devices, this pin is logic-supply input. V _{DDL} is the logic supply voltage for side-A input/output. Bypass to GNDA with a 0.1μF capacitor.
9, 15	9, 15	9, 15	9, 15	9, 15	GNDB	Ground	Ground reference for side B.
10	10	10	10	10	SEL	Digital I/O	V _{ISO} selection pin, see Table 10-3. V _{ISO} = 5 V, when SEL is connected to V _{ISO} ; V _{ISO} = 3.3 V, when SEL is connected to GNDB or left floating.
11	6	6	6	6	VO4	Digital I/O	Digital output 4 on side B/A, VO4 is the logic output for the VI4 input on side A/B.
12	12	5	5	5	VO3	Digital I/O	Digital output 3 on side B/A, VO3 is the logic output for the VI3 input on side A/B.
13	13	13	4	4	VO2	Digital I/O	Digital output 2 on side B/A, VO2 is the logic output for the VI2 input on side A/B.
14	14	14	14	3	VO1	Digital I/O	Digital output 1 on side B/A, VO1 is the logic output for the VI1 input on side A/B.
16	16	16	16	16	V _{ISO}	Supply	Output of the isolated DC-DC converter. Bypass to GNDB with 10μF 0.1μF capacitors.

Note:

1. Logic-Supply Input. V_{DDL} can be different voltage from V_{DD} supply, which allows fully compatible +3.3V and +5.0V logic on side-A digital lines.

8 Specifications

8.1 Absolute Maximum Ratings^{1,2}

		MIN	MAX	UNIT
V_{DD}, V_{DDL}	Supply voltage	-0.5	6.0	V
V_{ISO}	Isolated supply voltage	-0.5	6.0	V
V_{IO}	Voltage at VIx, VOx, SEL pins	-0.5	$V_{DD}+0.5^3$	V
I_O	Output current	-20	20	mA
T_J	Junction temperature		150	°C
T_{STG}	Storage temperature	-65	150	°C

Notes:

- The stresses listed under "Absolute Maximum Ratings" are stress ratings only, not for functional operation condition. Exposure to absolute maximum rating conditions for extended periods may cause permanent damage to the device.
- All voltage values are with respect to the local ground terminal (GNDA or GNDB) and are peak voltage values.
- Maximum voltage must not be exceed 6 V.

8.2 ESD Ratings

		VALUE	UNIT
V_{ESD} Electrostatic discharge	Human body model (HBM), per ANSI/ESDA/JEDEC JS-001, all pins ¹	±6000	V
	Charged device model (CDM), per JEDEC specification JESD22-C101, all pins ²	±2000	

Notes:

- Per JEDEC document JEP155, 500V HBM allows safe manufacturing of standard ESD control process.
- Per JEDEC document JEP157, 250V CDM allows safe manufacturing of standard ESD control process.

8.3 Recommended Operating Conditions

		MIN	TYP	MAX	UNIT
V_{DD}	Supply Voltage	3.15		5.5	V
V_{DDL}	Logic Supply Voltage	2.375		5.5	V
I_{OH}	High-level Output Current	$V_{DDO}^1 = 5V$	-4		mA
		$V_{DDO} = 3.3V$	-2		
I_{OL}	Low-level Output Current	$V_{DDO} = 5V$		4	mA
		$V_{DDO} = 3.3V$		2	
V_{IH}	High-level Input Voltage	2.0			V
V_{IL}	Low-level Input Voltage			0.8	V
DR	Data Rate	0		100	Mbps
T_A	Ambient Temperature	-40	25	125	°C

Note:

- V_{DDO} = Output-side supply, V_{ISO} .

8.4 Thermal Information

THERMAL METRIC	CA-IS36xx	UNIT
	SOIC16-WB	
$R_{\theta JA}$ Junction-to-ambient thermal resistance	68.5	°C/W

8.5 Power Rating

PARAMETER	TEST CONDITIONS	MIN	TYP	MAX	UNIT
P_D Maximum Power Dissipation	$V_{DD} = 5.5V, V_{ISO} = 5V, I_{ISO} = 130mA$, all the input signal is 50% duty circle square and $C_L = 15pF$.			1	W

CA-IS3620, CA-IS3621

CA-IS3640, CA-IS3641, CA-IS3642, CA-IS3643, CA-IS3644

Version 1.08

Shanghai Chipanalog Microelectronics Co., Ltd.

8.6 Insulation Specifications

PARAMETR		TEST CONDITIONS	VALUE W	UNIT
CLR	External clearance	Shortest terminal-to-terminal distance through air	8	mm
CPG	External creepage	Shortest terminal-to-terminal distance across the package surface	8	mm
DTI	Distance through the insulation	Minimum internal gap (internal clearance)	19	μm
CTI	Comparative tracking index	DIN EN 60112 (VDE 0303-11); IEC 60112	>600	V
	Material group	According to IEC 60664-1	I	
	Overvoltage category per IEC 60664-1	Rated mains voltage $\leq 300 V_{RMS}$	I-IV	
		Rated mains voltage $\leq 600 V_{RMS}$	I-IV	
		Rated mains voltage $\leq 1000 V_{RMS}$	I-III	
DIN V VDE V 0884-17:2021-10¹				
V_{IORM}	Maximum repetitive peak isolation voltage	AC voltage (bipolar)	1414	V_{PK}
V_{IOWM}	Maximum working isolation voltage	AC voltage; Time dependent dielectric breakdown (TDDb) Test	1000	V_{RMS}
		DC voltage	1414	V_{DC}
V_{IOTM}	Maximum transient isolation voltage	$V_{TEST} = V_{IOTM}$, $t = 60$ s (qualification); $V_{TEST} = 1.2 \times V_{IOTM}$, $t = 1$ s (100% production)	7070	V_{PK}
V_{IOSM}	Maximum surge isolation voltage ²	Test method per IEC 62368-1, 1.2/50 μs waveform, $V_{TEST} = 1.6 \times V_{IOSM}$ (qualification)	7070	V_{PK}
q_{pd}	Apparent charge ³	Method a, after input/output safety test subgroup 2/3, $V_{ini} = V_{IOTM}$, $t_{ini} = 60$ s; $V_{pd(m)} = 1.2 \times V_{IORM}$, $t_m = 10$ s	≤ 5	pC
		Method a, after environmental tests subgroup 1, $V_{ini} = V_{IOTM}$, $t_{ini} = 60$ s; $V_{pd(m)} = 1.6 \times V_{IORM}$, $t_m = 10$ s	≤ 5	
		Method b1, at routine test (100% production) and preconditioning (type test) $V_{ini} = 1.2 \times V_{IOTM}$, $t_{ini} = 1$ s; $V_{pd(m)} = 1.875 \times V_{IORM}$, $t_m = 1$ s	≤ 5	
C_{IO}	Barrier capacitance, input to output ⁴	$V_{IO} = 0.4 \times \sin(2\pi ft)$, $f = 1$ MHz	~ 0.5	pF
R_{IO}	Isolation resistance	$V_{IO} = 500$ V, $T_A = 25^\circ C$	$>10^{12}$	Ω
		$V_{IO} = 500$ V, $100^\circ C \leq T_A \leq 125^\circ C$	$>10^{11}$	
		$V_{IO} = 500$ V at $T_S = 150^\circ C$	$>10^9$	
	Pollution degree		2	
UL²				
$V_{ISO(max)}$	Maximum withstanding isolation voltage	$V_{TEST} = V_{ISO}$, $t = 60$ s (qualification), $V_{TEST} = 1.2 \times V_{ISO}$, $t = 1$ s (100% production)	5000	V_{RMS}
Notes:				
1. This coupler is suitable for "safe electrical insulation" only within the safety ratings. Compliance with the safety ratings shall be ensured by means of suitable protective circuits.				
2. Devices are immersed in oil during surge characterization test.				
3. The characterization charge is discharging charge (pd) caused by partial discharge.				
4. Capacitance and resistance are measured with all pins on field-side and logic-side tied together.				

Shanghai Chipanalog Microelectronics Co., Ltd.

8.7 Safety-Related Certifications

VDE	UL	CQC
Certified according to DIN EN IEC 60747-17 (VDE 0884-17):2021-10; EN IEC 60747-17:2020+AC:2021	Recognized under UL 1577 Component Recognition Program	Certified according to GB 4943.1-2022
Maximum transient isolation voltage: 7070Vpk Maximum repetitive-peak isolation voltage: 1414 Vpk Maximum surge isolation voltage:7070Vpk.	Protection voltage: 5kV _{RMS}	Reinforced insulation. (Altitude ≤ 5000 m)
Certificate number: 40057278	Certificate number: E511334	Certificate number: CQC23001406424

CA-IS3620, CA-IS3621
CA-IS3640, CA-IS3641, CA-IS3642, CA-IS3643, CA-IS3644
Version 1.08

Shanghai Chipanalog Microelectronics Co., Ltd.

8.8 Electrical Characteristics
5 V Input, 5 V output
 $V_{DD} = V_{DDL} = 5\text{ V} \pm 10\%$, $T_A = -40$ to 125°C , SEL shorted to V_{ISO} (over recommended operating conditions, unless otherwise specified)

Parameters		Test Conditions	Min.	Typ.	Max.	Unit
V_{ISO}	Isolated supply voltage	$I_{ISO} = 0$ to 130mA	4.75	5	5.25	V
I_{ISO}	Maximum load current ¹	Data-rate of each channel: DR<1Mbps		130		mA
		CA-IS3644LW/CA-IS3644LVW/ CA-IS3644HW/CA-IS3644HVW Data-rate of each channel: DR = 100Mbps		120		
		CA-IS3621LW/CA-IS3621LVW CA-IS3643LW/CA-IS3643LVW/ CA-IS3643HW/CA-IS3643HVW Data-rate of each channel: DR = 100Mbps		110		
		CA-IS3620LW CA-IS3642LW/CA-IS3642LVW/ CA-IS3642HW/CA-IS3642HVW Data-rate of each channel: DR = 100Mbps		100		
		CA-IS3641LW/CA-IS3641LVW/ CA-IS3641HW/CA-IS3641HVW Data-rate of each channel: DR = 100Mbps		90		
		CA-IS3640LW/CA-IS3640LVW/ CA-IS3640HW/CA-IS3640HVW Data-rate of each channel: DR = 100Mbps		80		
$V_{ISO(LINE)}$	DC line regulation	$I_{ISO}=50\text{mA}$, $V_{DD}=4.5\text{V}$ to 5.5V		2		mV/V
$V_{ISO(LOAD)}$	DC load regulation	$I_{ISO}=0$ to 130mA		1%		
EFF	Efficiency@maximum load current	$I_{ISO} = 130\text{mA}$, $C_{LOAD} = 0.1\mu\text{F} \parallel 10\mu\text{F}$; $V_I = V_{DDI}^2$ (CA-IS36xxL); $V_I = 0\text{V}$ (CA-IS36xxH)		53%		
$V_{DD(UVLO+)}$	V_{DD} undervoltage threshold when supply voltage is rising			2.75	3.05	V
$V_{DD(UVLO-)}$	V_{DD} undervoltage threshold when supply voltage is falling		2.0	2.35		V
$V_{HYS(UVLO)}$	V_{DD} undervoltage threshold hysteresis			0.40		V
I_{IH}	High-level input leakage current	$V_{IH}=V_{DDI}^1$ at VIx or Bx or ENx or SEL			20	μA
I_{IL}	Low-level input leakage current	$V_{IL}=0\text{V}$ at VIx or Bx or ENx or SEL	-20			μA
V_{OH}	High-level output voltage	$I_{OL}=-4\text{mA}$, see Figure 9-1	$V_{DDO}^2 - 0.4$	$V_{DDO}^2 - 0.2$		V
V_{OL}	Low-level output voltage	$I_{OL}=4\text{mA}$, see Figure 9-1		0.2	0.4	V
CMTI	Common-mode transient immunity	$V_I = V_{DDI}^1$ or 0V , $V_{CM}=1500\text{V}$, see Figure 9-2	100	150		kV/ μs
$V_{ISO(RIP)}$	Output ripple on isolated supply (pk-pk)	V_{ISO} shorted to GNDB		50		mV
I_{ISO}	V_{ISO} output current for external load ²			60		mV
Notes:						
1. The maximum V_{ISO} output current will be decreased with the data rate increased to each isolation channel. Also, the available output current will be reduced when $T_A > 85^\circ\text{C}$, see Figure 8-11. to Figure 8-16. the maximum output current of V_{ISO} vs. temperature.						
2. V_{DDI} = input side supply; V_{DDO} = output side supply.						

5 V Input, 3.3V Output
 $V_{DD} = V_{DDL} = 5\text{ V} \pm 10\%$, $T_A = -40$ to 125°C , SEL shorted to GNDB (over recommended operating conditions, unless otherwise specified)

Parameters		Test Conditions	Min	Typ	Max	Unit
V_{ISO}	Isolated supply voltage	$I_{ISO} = 0$ to 130mA	3.13	3.3	3.47	V
I_{ISO}	Maximum load current ¹	Data-rate of each channel: DR<1Mbps		130		mA
		CA-IS3644LW/CA-IS3644LVW/ CA-IS3644HW/CA-IS3644HVW Data-rate of each channel: DR = 100Mbps		120		
		CA-IS3621LW/CA-IS3621LVW CA-IS3643LW/CA-IS3643LVW/ CA-IS3643HW/CA-IS3643HVW Data-rate of each channel: DR = 100Mbps		110		
		CA-IS3620LW CA-IS3642LW/CA-IS3642LVW/ CA-IS3642HW/CA-IS3642HVW Data-rate of each channel: DR = 100Mbps		100		
		CA-IS3641LW/CA-IS3641LVW/ CA-IS3641HW/CA-IS3641HVW Data-rate of each channel: DR = 100Mbps		90		
		CA-IS3640LW/CA-IS3640LVW/ CA-IS3640HW/CA-IS3640HVW Data-rate of each channel: DR = 100Mbps		80		
$V_{ISO(LINE)}$	DC line regulation	$I_{ISO}=50\text{mA}$, $V_{DD}=4.5\text{V}$ to 5.5V		2		mV/V
$V_{ISO(LOAD)}$	DC load regulation	$I_{ISO}=0$ to 130mA		1%		
EFF current	Efficiency@maximum load	$I_{ISO} = 130\text{mA}$, $C_{LOAD} = 0.1\mu\text{F} 10\mu\text{F}$; $V_I = V_{DDI}^2$ (CA-IS36xxL); $V_I = 0\text{V}$ (CA-IS36xxH)		42%		
$V_{DD(UVLO+)}$	V_{DD} undervoltage threshold when supply voltage is rising			2.75	3.05	V
$V_{DD(UVLO-)}$	V_{DD} undervoltage threshold when supply voltage is falling		2.0	2.35		V
$V_{HYS(UVLO)}$	V_{DD} undervoltage threshold hysteresis			0.4		V
I_{IH}	High-level input leakage current	$V_{IH}=V_{DDI}^1$ at V _{Ix} or B _x or EN _x or SEL			20	μA
I_{IL}	Low-level input leakage current	$V_{IL}=0\text{V}$ at V _{Ix} or B _x or EN _x or SEL	-20			μA
V_{OH}	High-level output voltage	$I_{OL}=-4\text{mA}$, see Figure 9-1	$V_{DDO}^2 - 0.4$	$V_{DDO}^2 - 0.2$		V
V_{OL}	Low-level output voltage	$I_{OL}=4\text{mA}$, see Figure 9-1		0.2	0.4	V
CMTI	Common-mode transient immunity	$V_I = V_{DDI}^1$ or 0V, $V_{CM}=1500\text{V}$, see Figure 9-2	100	150		kV/ μs
$V_{ISO(RIP)}$	Output ripple on isolated supply (pk-pk)	V_{ISO} shorted to GNDB		50		mV
I_{ISO}	V_{ISO} output current for external load ²			50		mV

Notes:

- The maximum V_{ISO} output current will be decreased with the data rate increased to each isolation channel. Also, the available output current will be reduced when $T_A > 85^\circ\text{C}$, see Figure 8-11. to Figure 8-16. the maximum output current of V_{ISO} vs. temperature.
- V_{DDI} = input side supply; V_{DDO} = output side supply.

CA-IS3620, CA-IS3621
CA-IS3640, CA-IS3641, CA-IS3642, CA-IS3643, CA-IS3644
Version 1.08

Shanghai Chipanalog Microelectronics Co., Ltd.

3.3V Input, 3.3 V Output
 $V_{DD} = V_{DDL} = 3.3 V \pm 10\%$, $T_A = -40$ to $125^\circ C$, SEL shorted to GNDB (over recommended operating conditions, unless otherwise specified)

Parameters		Test Conditions	Min	Typ	Max	Unit
V_{ISO}	Isolated supply voltage	$I_{ISO} = 0$ to 75mA	3.13	3.3	3.47	V
I_{ISO}	Maximum load current ¹	Data-rate of each channel: DR<1Mbps		75		mA
		CA-IS3644LW/CA-IS3644LVW/ CA-IS3644HW/CA-IS3644HVW Data-rate of each channel: DR = 100Mbps		65		
		CA-IS3621LW/CA-IS3621LVW CA-IS3643LW/CA-IS3643LVW/ CA-IS3643HW/CA-IS3643HVW Data-rate of each channel: DR = 100Mbps		60		
		CA-IS3620LW CA-IS3642LW/CA-IS3642LVW/ CA-IS3642HW/CA-IS3642HVW Data-rate of each channel: DR = 100Mbps		55		
		CA-IS3641LW/CA-IS3641LVW/ CA-IS3641HW/CA-IS3641HVW Data-rate of each channel: DR = 100Mbps		50		
		CA-IS3640LW/CA-IS3640LVW/ CA-IS3640HW/CA-IS3640HVW Data-rate of each channel: DR = 100Mbps		45		
$V_{ISO(LINE)}$	DC line regulation	$I_{ISO} = 50mA$, $V_{DD} = 3V$ to 3.6V		2		mV/V
$V_{ISO(LOAD)}$	DC load regulation	$I_{ISO} = 0$ to 75mA		1%		
EFF	Efficiency@maximum load current	$I_{ISO} = 75mA$, $C_{LOAD} = 0.1\mu F 10\mu F$; $V_I = V_{DDI}^2$ (CA-IS36xxL); $V_I = 0V$ (CA-IS36xxH)		47%		
$V_{DD(UVLO+)}$	V_{DD} undervoltage threshold when supply voltage is rising			2.75	3.05	V
$V_{DD(UVLO-)}$	V_{DD} undervoltage threshold when supply voltage is falling		2.1	2.35		V
$V_{HYS(UVLO)}$	V_{DD} undervoltage threshold hysteresis			0.4		V
I_{IH}	High-level input leakage current	$V_{IH} = V_{DDI}^2 @ V_{IX}$ or SEL			20	μA
I_{IL}	Low-level input leakage current	$V_{IL} = 0V @ V_{IX}$ or SEL	-20			μA
V_{OH}	High-level output voltage	$I_{OL} = -4mA$, see Figure 9-1	$V_{DDO}^2 - 0.4$	$V_{DDO}^2 - 0.2$		V
V_{OL}	Low-level output voltage	$I_{OL} = 4mA$, see Figure 9-1		0.2	0.4	V
CMTI	Common-mode transient immunity	$V_I = V_{DDI}^1$ or 0V, $V_{CM} = 1500V$, see Figure 9-2	100	150		kV/ μs
$V_{ISO(RIP)}$	Output ripple on isolated supply (pk-pk)	V_{ISO} shorted to GNDB		36		mA
I_{ISO}	V_{ISO} output current for external load ²			45		mV

Notes:

- The maximum V_{ISO} output current will be decreased with the data rate increased to each isolation channel. Also, the available output current will be reduced when $T_A > 85^\circ C$, see Figure 8-11. to Figure 8-16. the maximum output current of V_{ISO} vs. temperature.
- V_{DDI} = input side supply; V_{DDO} = output side supply.

8.9 Supply Current Characteristics

5 V Input, 5 V Output

$V_{DD} = V_{DDL} = 5 V \pm 10\%$, $T_A = -40$ to $125^\circ C$, SEL shorted to V_{ISD} (over recommended operating conditions, unless otherwise specified)

Parameters		Test Conditions	Min	Typ	Max	Unit
CA-IS3620						
I_{DD}^2	Supply current	No external I_{LOAD} ; $V_I=0V$ (CA-IS3620H); $V_I=V_{DDI}^1$ (CA-IS3620L)		12	18	mA
		No external I_{LOAD} ; $V_I=0V$ (CA-IS3620L); $V_I=V_{DDI}^1$ (CA-IS3620H)		10	15	
		All channels input 1Mbps, 50% duty cycle square wave clock signal, $C_L=15pF$ each channel, no external I_{LOAD} .		12	18	
		All channels input 10Mbps, 50% duty cycle square wave clock signal, $C_L=15pF$ each channel, no external I_{LOAD} .		24	36	
		All channels input 100Mbps, 50% duty cycle square wave clock signal, $C_L=15pF$ each channel, no external I_{LOAD} .		56	84	
CA-IS3621						
I_{DD}^2	Supply current	No external I_{LOAD} ; $V_I=V_{DDI}^1$ (CA-IS3621L)		13	19	mA
		No external I_{LOAD} ; $V_I=0V$ (CA-IS3621L);		9	14	
		All channels input 1Mbps, 50% duty cycle square wave clock signal, $C_L=15pF$ each channel, no external I_{LOAD} .		11	17	
		All channels input 10Mbps, 50% duty cycle square wave clock signal, $C_L=15pF$ each channel, no external I_{LOAD} .		23	35	
		All channels input 100Mbps, 50% duty cycle square wave clock signal, $C_L=15pF$ each channel, no external I_{LOAD} .		42	63	
CA-IS3640						
I_{DD}^2	Supply current	No external I_{LOAD} ; $V_I=0V$ (CA-IS3640H); $V_I=V_{DDI}^1$ (CA-IS3640L)		17	26	mA
		No external I_{LOAD} ; $V_I=0V$ (CA-IS3640L); $V_I=V_{DDI}^1$ (CA-IS3640H)		13	20	
		All channels input 1Mbps, 50% duty cycle square wave clock signal, $C_L=15pF$ each channel, no external I_{LOAD} .		16	24	
		All channels input 10Mbps, 50% duty cycle square wave clock signal, $C_L=15pF$ each channel, no external I_{LOAD} .		22	33	
		All channels input 100Mbps, 50% duty cycle square wave clock signal, $C_L=15pF$ each channel, no external I_{LOAD} .		76	115	
Notes:						
1. V_{DDI}^1 = input side supply; V_{DDO} = output side supply.						
2. For the CA-IS36xxVW, the I_{DD} is the total supply current from V_{DD} and V_{DDL} .						

CA-IS3620, CA-IS3621

CA-IS3640, CA-IS3641, CA-IS3642, CA-IS3643, CA-IS3644

Version 1.08

Shanghai Chipanalog Microelectronics Co., Ltd.

Supply Current Characteristics Continued (5 V Input, 5 V Output)

Parameters		Test Conditions	Min	Typ	Max	Unit
CA-IS3641						
I_{DD}^2	Supply current	No external I_{LOAD} ; $V_I=0V$ (CA-IS3641H); $V_I=V_{DDI}^1$ (CA-IS3641L)		19	29	mA
		No external I_{LOAD} ; $V_I=0V$ (CA-IS3641L); $V_I=V_{DDI}^1$ (CA-IS3641H)		13	20	
		All channels input 1Mbps, 50% duty cycle square wave clock signal, $C_L=15pF$ each channel, no external I_{LOAD} .		16	24	
		All channels input 10Mbps, 50% duty cycle square wave clock signal, $C_L=15pF$ each channel, no external I_{LOAD} .		22	33	
		All channels input 100Mbps, 50% duty cycle square wave clock signal, $C_L=15pF$ each channel, no external I_{LOAD} .		66	99	
CA-IS3642						
I_{DD}^2	Supply current	No external I_{LOAD} ; $V_I=0V$ (CA-IS3642H); $V_I=V_{DDI}^1$ (CA-IS3642L)		18	27	mA
		No external I_{LOAD} ; $V_I=0V$ (CA-IS3642L); $V_I=V_{DDI}^1$ (CA-IS3642H)		13	20	
		All channels input 1Mbps, 50% duty cycle square wave clock signal, $C_L=15pF$ each channel, no external I_{LOAD} .		15	23	
		All channels input 10Mbps, 50% duty cycle square wave clock signal, $C_L=15pF$ each channel, no external I_{LOAD} .		20	30	
		All channels input 100Mbps, 50% duty cycle square wave clock signal, $C_L=15pF$ each channel, no external I_{LOAD} .		62	93	
CA-IS3643						
I_{DD}^2	Supply current	No external I_{LOAD} ; $V_I=0V$ (CA-IS3643H); $V_I=V_{DDI}^1$ (CA-IS3643L)		18	27	mA
		No external I_{LOAD} ; $V_I=0V$ (CA-IS3643L); $V_I=V_{DDI}^1$ (CA-IS3643H)		13	20	
		All channels input 1Mbps, 50% duty cycle square wave clock signal, $C_L=15pF$ each channel, no external I_{LOAD} .		16	24	
		All channels input 10Mbps, 50% duty cycle square wave clock signal, $C_L=15pF$ each channel, no external I_{LOAD} .		20	30	
		All channels input 100Mbps, 50% duty cycle square wave clock signal, $C_L=15pF$ each channel, no external I_{LOAD} .		62	93	
CA-IS3644						
I_{DD}^2	Supply current	No external I_{LOAD} ; $V_I=0V$ (CA-IS3644H); $V_I=V_{DDI}^1$ (CA-IS3644L)		18	27	mA
		No external I_{LOAD} ; $V_I=0V$ (CA-IS3644L); $V_I=V_{DDI}^1$ (CA-IS3644H)		13	20	
		All channels input 1Mbps, 50% duty cycle square wave clock signal, $C_L=15pF$ each channel, no external I_{LOAD} .		14	21	
		All channels input 10Mbps, 50% duty cycle square wave clock signal, $C_L=15pF$ each channel, no external I_{LOAD} .		17	26	
		All channels input 100Mbps, 50% duty cycle square wave clock signal, $C_L=15pF$ each channel, no external I_{LOAD} .		45	68	
Notes:						
1. V_{DDI} = input side supply; V_{DDO} = output side supply.						
2. For the CA-IS36xxVW, the I_{DD} is the total supply current from V_{DD} and V_{DDL} .						

5 V Input, 3.3 V Output
 $V_{DD} = V_{DDL} = 5\text{ V} \pm 10\%$, $T_A = -40$ to 125°C , SEL shorted to GNDB (over recommended operating conditions, unless otherwise specified)

Parameters		Test Conditions	Min	Typ	Max	Unit
CA-IS3620						
I_{DD}^2	Supply current	No external I_{LOAD} ; $V_I=0\text{V}$ (CA-IS3620H); $V_I=V_{DDI}^1$ (CA-IS3620L)		11	17	mA
		No external I_{LOAD} ; $V_I=0\text{V}$ (CA-IS3620L); $V_I=V_{DDI}^1$ (CA-IS3620H)		9	14	
		All channels input 1Mbps, 50% duty cycle square wave clock signal, $C_L=15\text{pF}$ each channel, no external I_{LOAD} .		10	15	
		All channels input 10Mbps, 50% duty cycle square wave clock signal, $C_L=15\text{pF}$ each channel, no external I_{LOAD} .		18	27	
		All channels input 100Mbps, 50% duty cycle square wave clock signal, $C_L=15\text{pF}$ each channel, no external I_{LOAD} .		34	51	
CA-IS3621						
I_{DD}^2	Supply current	No external I_{LOAD} ; $V_I=V_{DDI}^1$ (CA-IS3621L)		12	18	mA
		No external I_{LOAD} ; $V_I=0\text{V}$ (CA-IS3621L);		9	14	
		All channels input 1Mbps, 50% duty cycle square wave clock signal, $C_L=15\text{pF}$ each channel, no external I_{LOAD} .		9	14	
		All channels input 10Mbps, 50% duty cycle square wave clock signal, $C_L=15\text{pF}$ each channel, no external I_{LOAD} .		16	24	
		All channels input 100Mbps, 50% duty cycle square wave clock signal, $C_L=15\text{pF}$ each channel, no external I_{LOAD} .		32	48	
CA-IS3640						
I_{DD}^2	Supply current	No external I_{LOAD} ; $V_I=0\text{V}$ (CA-IS3640H); $V_I=V_{DDI}^1$ (CA-IS3640L)		15	23	mA
		No external I_{LOAD} ; $V_I=0\text{V}$ (CA-IS3640L); $V_I=V_{DDI}^1$ (CA-IS3640H)		11	18	
		All channels input 1Mbps, 50% duty cycle square wave clock signal, $C_L=15\text{pF}$ each channel, no external I_{LOAD} .		13	19	
		All channels input 10Mbps, 50% duty cycle square wave clock signal, $C_L=15\text{pF}$ each channel, no external I_{LOAD} .		17	26	
		All channels input 100Mbps, 50% duty cycle square wave clock signal, $C_L=15\text{pF}$ each channel, no external I_{LOAD} .		50	75	
Notes:						
1. V_{DDI} = input side supply; V_{DDO} = output side supply, V_{ISO} .						
2. For the CA-IS36xxVW, the I_{DD} is the total supply current from V_{DD} and V_{DDL} .						

CA-IS3620, CA-IS3621

CA-IS3640, CA-IS3641, CA-IS3642, CA-IS3643, CA-IS3644

Version 1.08

Shanghai Chipanalog Microelectronics Co., Ltd.

Supply Current Characteristics Continued (5 V Input, 3.3 V Output)

Parameters		Test Conditions	Min	Typ	Max	Unit
CA-IS3641						
I_{DD}^2	Supply current	No external I_{LOAD} ; $V_I=0V$ (CA-IS3641H); $V_I=V_{DDI}^1$ (CA-IS3641L)	16	24		mA
		No external I_{LOAD} ; $V_I=0V$ (CA-IS3641L); $V_I=V_{DDI}^1$ (CA-IS3641H)	11	18		
		All channels input 1Mbps, 50% duty cycle square wave clock signal, $C_L=15pF$ each channel, no external I_{LOAD} .	13	20		
		All channels input 10Mbps, 50% duty cycle square wave clock signal, $C_L=15pF$ each channel, no external I_{LOAD} .	16	24		
		All channels input 100Mbps, 50% duty cycle square wave clock signal, $C_L=15pF$ each channel, no external I_{LOAD} .	47	71		
CA-IS3642						
I_{DD}^2	Supply current	No external I_{LOAD} ; $V_I=0V$ (CA-IS3642H); $V_I=V_{DDI}^1$ (CA-IS3642L)	16	24		mA
		No external I_{LOAD} ; $V_I=0V$ (CA-IS3642L); $V_I=V_{DDI}^1$ (CA-IS3642H)	11	18		
		All channels input 1Mbps, 50% duty cycle square wave clock signal, $C_L=15pF$ each channel, no external I_{LOAD} .	13	20		
		All channels input 10Mbps, 50% duty cycle square wave clock signal, $C_L=15pF$ each channel, no external I_{LOAD} .	16	24		
		All channels input 100Mbps, 50% duty cycle square wave clock signal, $C_L=15pF$ each channel, no external I_{LOAD} .	46	69		
CA-IS3643						
I_{DD}^2	Supply current	No external I_{LOAD} ; $V_I=0V$ (CA-IS3643H); $V_I=V_{DDI}^1$ (CA-IS3643L)	16	24		mA
		No external I_{LOAD} ; $V_I=0V$ (CA-IS3643L); $V_I=V_{DDI}^1$ (CA-IS3643H)	11	18		
		All channels input 1Mbps, 50% duty cycle square wave clock signal, $C_L=15pF$ each channel, no external I_{LOAD} .	13	20		
		All channels input 10Mbps, 50% duty cycle square wave clock signal, $C_L=15pF$ each channel, no external I_{LOAD} .	15	23		
		All channels input 100Mbps, 50% duty cycle square wave clock signal, $C_L=15pF$ each channel, no external I_{LOAD} .	44	66		
CA-IS3644						
I_{DD}^2	Supply current	No external I_{LOAD} ; $V_I=0V$ (CA-IS3644H); $V_I=V_{DDI}^1$ (CA-IS3644L)	16	24		mA
		No external I_{LOAD} ; $V_I=0V$ (CA-IS3644L); $V_I=V_{DDI}^1$ (CA-IS3644H)	11	18		
		All channels input 1Mbps, 50% duty cycle square wave clock signal, $C_L=15pF$ each channel, no external I_{LOAD} .	13	20		
		All channels input 10Mbps, 50% duty cycle square wave clock signal, $C_L=15pF$ each channel, no external I_{LOAD} .	15	23		
		All channels input 100Mbps, 50% duty cycle square wave clock signal, $C_L=15pF$ each channel, no external I_{LOAD} .	43	66		

Notes:

- V_{DDI} = input side supply; V_{DDO} = output side supply, V_{ISO} .
- For the CA-IS36xxVW, the I_{DD} is the total supply current from V_{DD} and V_{DDL} .

3.3 V Input, 3.3 V Output
 $V_{DD} = V_{DDL} = 3.3\text{ V} \pm 10\%$, $T_A = -40$ to 125°C , SEL shorted to GNDB (over recommended operating conditions, unless otherwise specified)

Parameters		Test Conditions	Min	Typ	Max	Unit
CA-IS3620						
I_{DD}^2	Supply current	No external I_{LOAD} ; $V_I = 0\text{V}$ (CA-IS3620H); $V_I = V_{DDI}^1$ (CA-IS3620L)	10	15		mA
		No external I_{LOAD} ; $V_I = 0\text{V}$ (CA-IS3620L); $V_I = V_{DDI}^1$ (CA-IS3620H)	8	12		
		All channels input 1Mbps, 50% duty cycle square wave clock signal, $C_L = 15\text{pF}$ each channel, no external I_{LOAD} .	11	17		
		All channels input 10Mbps, 50% duty cycle square wave clock signal, $C_L = 15\text{pF}$ each channel, no external I_{LOAD} .	19	29		
		All channels input 100Mbps, 50% duty cycle square wave clock signal, $C_L = 15\text{pF}$ each channel, no external I_{LOAD} .	40	60		
CA-IS3621						
I_{DD}^2	Supply current	No external I_{LOAD} ; $V_I = 0\text{V}$ (CA-IS3621H); $V_I = V_{DDI}^1$ (CA-IS3621L)	12	18		mA
		No external I_{LOAD} ; $V_I = 0\text{V}$ (CA-IS3621L); $V_I = V_{DDI}^1$ (CA-IS3621H)	8	12		
		All channels input 1Mbps, 50% duty cycle square wave clock signal, $C_L = 15\text{pF}$ each channel, no external I_{LOAD} .	10	15		
		All channels input 10Mbps, 50% duty cycle square wave clock signal, $C_L = 15\text{pF}$ each channel, no external I_{LOAD} .	18	27		
		All channels input 100Mbps, 50% duty cycle square wave clock signal, $C_L = 15\text{pF}$ each channel, no external I_{LOAD} .	31	46		
CA-IS3640						
I_{DD}^2	Supply current	No external I_{LOAD} ; $V_I = 0\text{V}$ (CA-IS3640H); $V_I = V_{DDI}^1$ (CA-IS3640L)	16	24		mA
		No external I_{LOAD} ; $V_I = 0\text{V}$ (CA-IS3640L); $V_I = V_{DDI}^1$ (CA-IS3640H)	12	18		
		All channels input 1Mbps, 50% duty cycle square wave clock signal, $C_L = 15\text{pF}$ each channel, no external I_{LOAD} .	15	23		
		All channels input 10Mbps, 50% duty cycle square wave clock signal, $C_L = 15\text{pF}$ each channel, no external I_{LOAD} .	18	27		
		All channels input 100Mbps, 50% duty cycle square wave clock signal, $C_L = 15\text{pF}$ each channel, no external I_{LOAD} .	57	86		
Note:						
1. V_{DDI} = input side supply; V_{DDO} = output side supply, V_{ISO} .						
2. For the CA-IS36xxVW, the I_{DD} is the total supply current from V_{DD} and V_{DDL} .						

CA-IS3620, CA-IS3621

CA-IS3640, CA-IS3641, CA-IS3642, CA-IS3643, CA-IS3644

Version 1.08

Shanghai Chipanalog Microelectronics Co., Ltd.

Supply Current Characteristics Continued (3.3 V Input, 3.3 V Output)

Parameters		Test Conditions	Min	Typ	Max	Unit
CA-IS3641						
I_{DD}^2	Supply current	No external I_{LOAD} ; $V_I=0V$ (CA-IS3641H); $V_I=V_{DDI}^1$ (CA-IS3641L)	16	24		mA
		No external I_{LOAD} ; $V_I=0V$ (CA-IS3641L); $V_I=V_{DDI}^1$ (CA-IS3641H)	12	18		
		All channels input 1Mbps, 50% duty cycle square wave clock signal, $C_L=15pF$ each channel, no external I_{LOAD} .	15	23		
		All channels input 10Mbps, 50% duty cycle square wave clock signal, $C_L=15pF$ each channel, no external I_{LOAD} .	18	27		
		All channels input 100Mbps, 50% duty cycle square wave clock signal, $C_L=15pF$ each channel, no external I_{LOAD} .	50	75		
CA-IS3642						
I_{DD}^2	Supply current	No external I_{LOAD} ; $V_I=0V$ (CA-IS3642H); $V_I=V_{DDI}^1$ (CA-IS3642L)	17	25		mA
		No external I_{LOAD} ; $V_I=0V$ (CA-IS3642L); $V_I=V_{DDI}^1$ (CA-IS3642H)	12	18		
		All channels input 1Mbps, 50% duty cycle square wave clock signal, $C_L=15pF$ each channel, no external I_{LOAD} .	14	21		
		All channels input 10Mbps, 50% duty cycle square wave clock signal, $C_L=15pF$ each channel, no external I_{LOAD} .	17	26		
		All channels input 100Mbps, 50% duty cycle square wave clock signal, $C_L=15pF$ each channel, no external I_{LOAD} .	46	69		
CA-IS3643						
I_{DD}^2	Supply current	No external I_{LOAD} ; $V_I=0V$ (CA-IS3643H); $V_I=V_{DDI}^1$ (CA-IS3643L)	18	27		mA
		No external I_{LOAD} ; $V_I=0V$ (CA-IS3643L); $V_I=V_{DDI}^1$ (CA-IS3643H)	12	18		
		All channels input 1Mbps, 50% duty cycle square wave clock signal, $C_L=15pF$ each channel, no external I_{LOAD} .	14	21		
		All channels input 10Mbps, 50% duty cycle square wave clock signal, $C_L=15pF$ each channel, no external I_{LOAD} .	16	24		
		All channels input 100Mbps, 50% duty cycle square wave clock signal, $C_L=15pF$ each channel, no external I_{LOAD} .	40	60		
CA-IS3644						
I_{DD}^2	Supply current	No external I_{LOAD} ; $V_I=0V$ (CA-IS3644H); $V_I=V_{DDI}^1$ (CA-IS3644L)	18	27		mA
		No external I_{LOAD} ; $V_I=0V$ (CA-IS3644L); $V_I=V_{DDI}^1$ (CA-IS3644H)	12	18		
		All channels input 1Mbps, 50% duty cycle square wave clock signal, $C_L=15pF$ each channel, no external I_{LOAD} .	14	21		
		All channels input 10Mbps, 50% duty cycle square wave clock signal, $C_L=15pF$ each channel, no external I_{LOAD} .	16	24		
		All channels input 100Mbps, 50% duty cycle square wave clock signal, $C_L=15pF$ each channel, no external I_{LOAD} .	36	54		
Notes:						
1. V_{DDI} = input side supply; V_{DDO} = output side supply, V_{ISO} .						
2. For the CA-IS36xxVW, the I_{DD} is the total supply current from V_{DD} and V_{DDL} .						

8.10 Timing Characteristics
5 Input, 5V Output
 $V_{DD} = V_{DDL} = 5 V \pm 10\%$, $T_A = -40$ to 125°C , SEL shorted to V_{ISO} (over recommended operating conditions, unless otherwise specified)

Parameters		Test Conditions	Min	Typ	Max	Unit
DR	Data rate		0		100	Mbps
PW_{minL}	Minimum Pulse Width				5.0	ns
t_{PLH}, t_{PHL}	Propagation Delay Time	See Figure 9-1		10.0	20.0	ns
PWD	Pulse Width Distortion $ t_{PLH} - t_{PHL} $			0.2	4.5	ns
$t_{rk(o)}$	Channel-to-channel Output Skew Time ¹	See Figure 9-1		0.4	2.5	ns
$t_{rk(pp)}$	Chip-to-chip skew time ²			2.0	4.5	ns
t_r	Output Signal Rise Time	See Figure 9-1		2.5	4.0	ns
t_f	Output Signal Fall Time	See Figure 9-1		2.5	4.0	ns

Notes:

- t_{sk} is the skew between outputs of a single device with all driving inputs connected together and the outputs switching in the same direction while driving identical loads.
- $t_{rk(pp)}$ is the magnitude of the difference in propagation delay times between any terminals of different devices switching in the same direction while operating at identical supply voltages, temperature, input signals and loads.

5 V Input, 3.3 V Output
 $V_{DD} = V_{DDL} = 5 V \pm 10\%$, $T_A = -40$ to 125°C , SEL shorted to GNDB (over recommended operating conditions, unless otherwise specified)

Parameters		Test Conditions	Min	Typ	Max	Unit
DR	Data rate		0		100	Mbps
PW_{minL}	Minimum Pulse Width				5.0	ns
t_{PLH}, t_{PHL}	Propagation Delay Time	See Figure 9-1		10.0	20.0	ns
PWD	Pulse Width Distortion $ t_{PLH} - t_{PHL} $			0.2	4.5	ns
$t_{rk(o)}$	Channel-to-channel Output Skew Time ¹	See Figure 9-1		0.4	2.5	ns
$t_{rk(pp)}$	Chip-to-chip skew time ²			2.0	4.5	ns
t_r	Output Signal Rise Time	See Figure 9-1		2.5	4.0	ns
t_f	Output Signal Fall Time	See Figure 9-1		2.5	4.0	ns

Notes:

- t_{sk} is the skew between outputs of a single device with all driving inputs connected together and the outputs switching in the same direction while driving identical loads.
- $t_{rk(pp)}$ is the magnitude of the difference in propagation delay times between any terminals of different devices switching in the same direction while operating at identical supply voltages, temperature, input signals and loads.

3.3 V Input, 3.3 V Output
 $V_{DD} = V_{DDL} = 3.3 V \pm 10\%$, $T_A = -40$ to 125°C , SEL shorted to GNDB (over recommended operating conditions, unless otherwise specified)

Parameters		Test Conditions	Min	Typ	Max	Unit
DR	Data rate		0		100	Mbps
PW_{minL}	Minimum Pulse Width				5.0	ns
t_{PLH}, t_{PHL}	Propagation Delay Time	See Figure 9-1		10.0	20.0	ns
PWD	Pulse Width Distortion $ t_{PLH} - t_{PHL} $			0.2	4.5	ns
$t_{rk(o)}$	Channel-to-channel Output Skew Time ¹	See Figure 9-1		0.4	2.5	ns
$t_{rk(pp)}$	Chip-to-chip skew time ²			2.0	4.5	ns
t_r	Output Signal Rise Time	See Figure 9-1		2.5	4.0	ns
t_f	Output Signal Fall Time	See Figure 9-1		2.5	4.0	ns

Notes:

- t_{sk} is the skew between outputs of a single device with all driving inputs connected together and the outputs switching in the same direction while driving identical loads.
- $t_{rk(pp)}$ is the magnitude of the difference in propagation delay times between any terminals of different devices switching in the same direction while operating at identical supply voltages, temperature, input signals and loads.

8.11 Typical Characteristics

<p>Figure 8-1. V_{DD} quiescent current, all inputs connected to logic HIGH or logic LOW, $V_{DD} = 5V$, $V_{ISO} = 5V$</p>	<p>Figure 8-2. V_{DD} supply current for the CA-IS3641HW at different data rate ; $V_{DD} = 5V$, $V_{ISO} = 5V$</p>
<p>Figure 8-3. V_{DD} quiescent current, all inputs connected to logic HIGH or logic LOW, $V_{DD} = 5V$, $V_{ISO} = 3.3V$</p>	<p>Figure 8-4. V_{DD} supply current for the CA-IS3641HW at different data rate ; $V_{DD} = 5V$, $V_{ISO} = 3.3V$</p>
<p>Figure 8-5. V_{DD} quiescent current, all inputs connected to logic HIGH or logic LOW, $V_{DD} = 3.3V$, $V_{ISO} = 3.3V$</p>	<p>Figure 8-6. V_{DD} supply current for the CA-IS3641HW at different data rate ; $V_{DD} = 3.3V$, $V_{ISO} = 3.3V$</p>

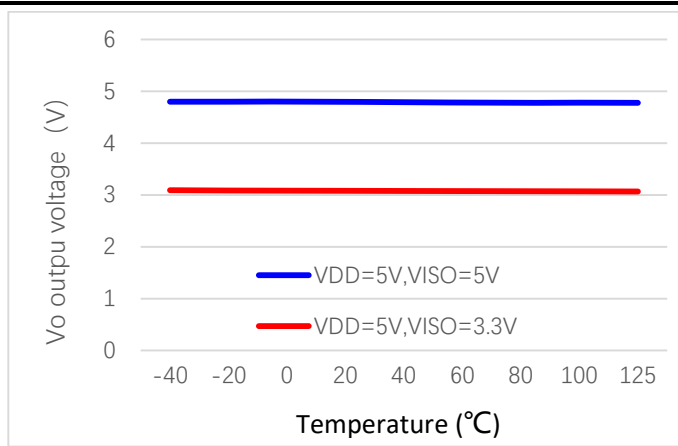


Figure 8-7. $V_O = \text{High}$, pull-down current = 4mA

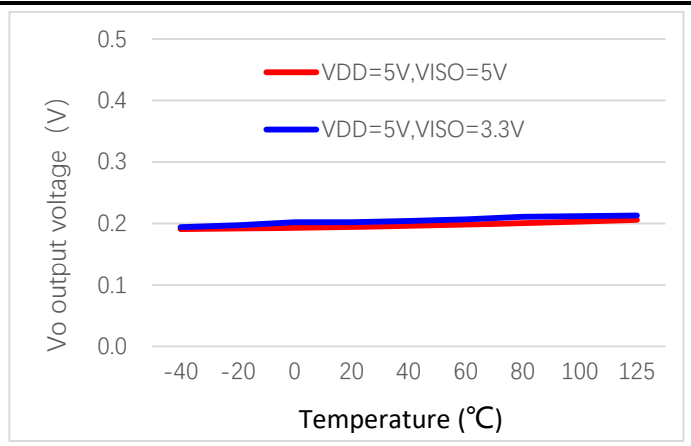


Figure 8-8. $V_O = \text{Low}$, pull-up current = 4mA

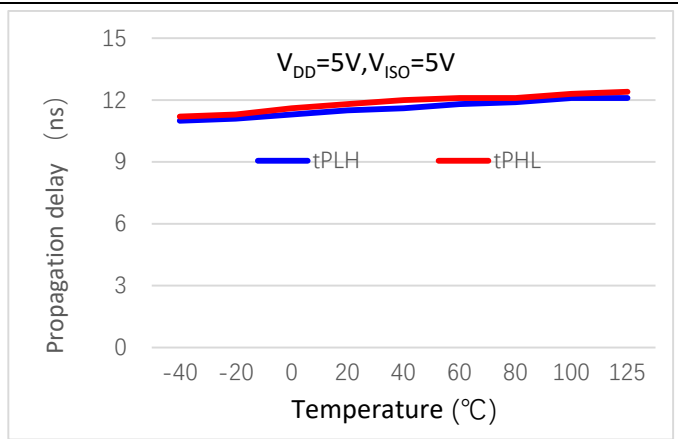


Figure 8-9. Propagation delay time vs. temperature, $V_{DD} = 5V$, $V_{ISO} = 5V$

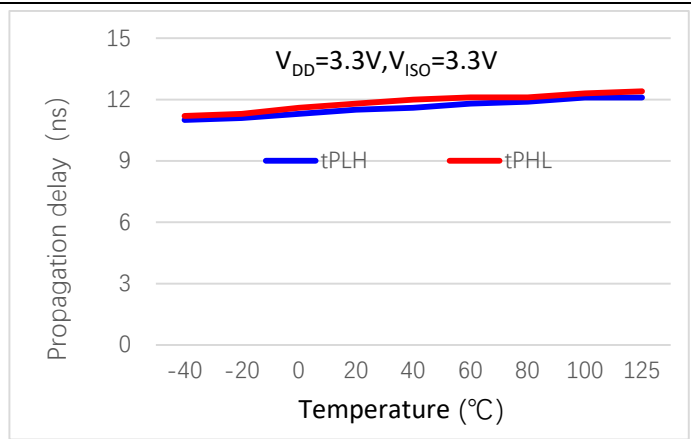


Figure 8-10. Propagation delay time vs. temperature, $V_{DD} = 3.3V$, $V_{ISO} = 3.3V$

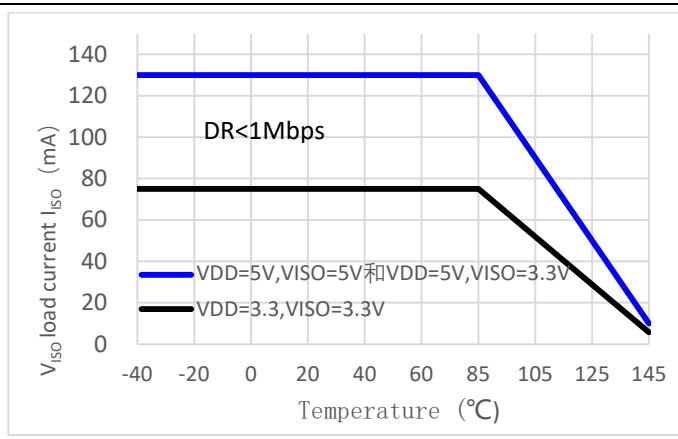


Figure 8-11.
All of CA-IS36xx devices
Maximum output current from V_{ISO} vs. temperature
DR < 1Mbps

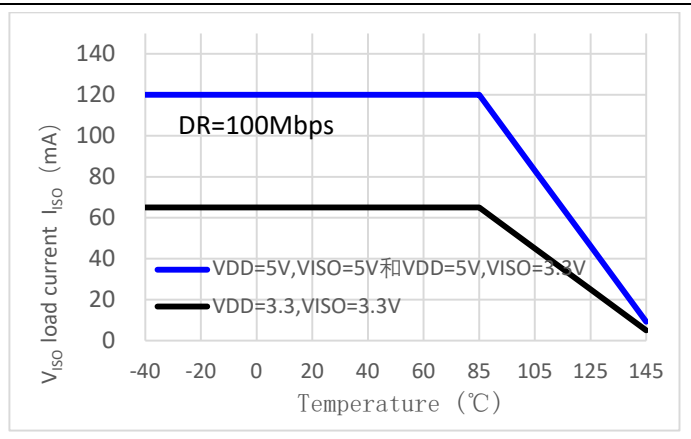


Figure 8-12.
CA-IS3621LW/CA-IS3621LVW/CA-IS3621HW/CA-IS3621HVW/
CA-IS3643LW/CA-IS3643LVW/CA-IS3643HW/CA-IS3643HVW
Maximum output current from V_{ISO} vs. temperature
DR = 100Mbps

CA-IS3620, CA-IS3621

CA-IS3640, CA-IS3641, CA-IS3642, CA-IS3643, CA-IS3644

Version 1.08

Shanghai Chipanalog Microelectronics Co., Ltd.

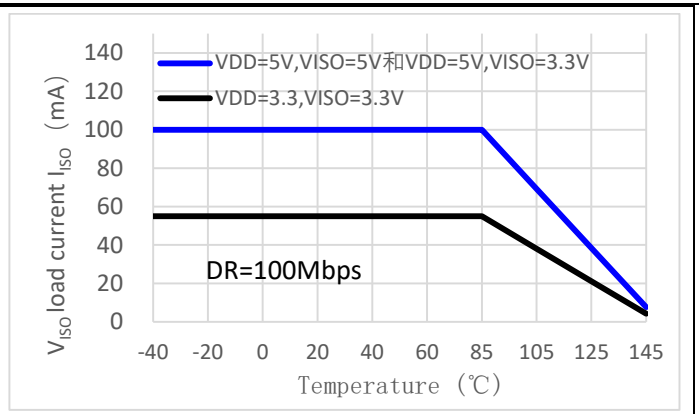
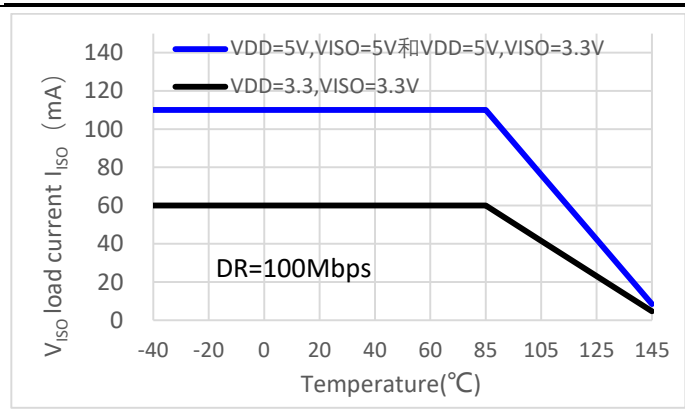


Figure 8-13.
CA-IS3621LW/CA-IS3621LVW/CA-IS3621HW/CA-IS3621HVW/
CA-IS3643LW/CA-IS3643LVW/CA-IS3643HW/CA-IS3643HVW
Maximum output current from V_{ISO} vs. temperature
DR = 100Mbps

Figure 8-14.
CA-IS3620LW/CA-IS3620LVW/CA-IS3620HW/CA-IS3620HVW/
CA-IS3642LW/CA-IS3642LVW/CA-IS3642HW/CA-IS3642HVW
Maximum output current from V_{ISO} vs. temperature
DR = 100Mbps

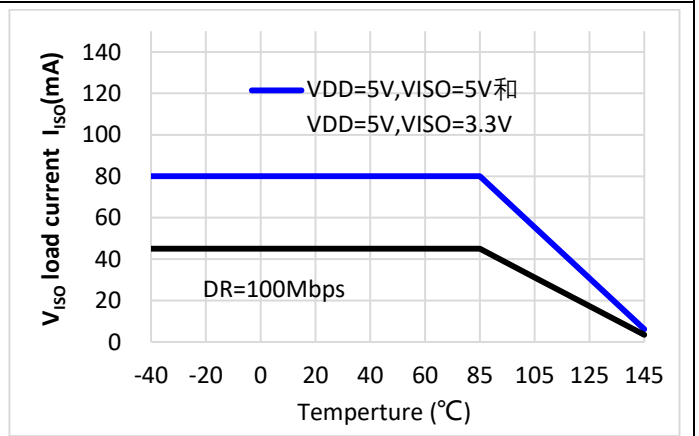
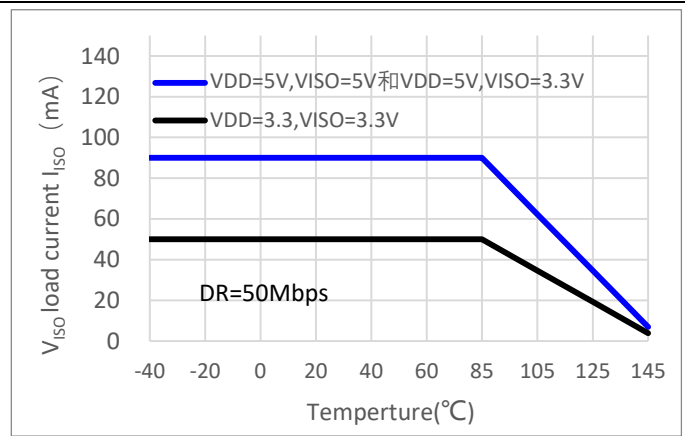


Figure 8-15.
CA-IS3641LW/CA-IS3641LVW/CA-IS3641HW/CA-IS3641HVW
Maximum output current from V_{ISO} vs. temperature
DR = 100Mbps

Figure 8-16.
CA-IS3640LW/CA-IS3640LVW/CA-IS3640HW/CA-IS3640HVW
Maximum output current from V_{ISO} vs. temperature
DR = 100Mbps

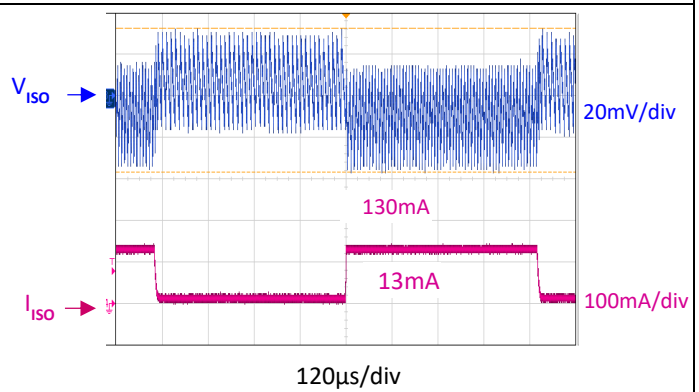
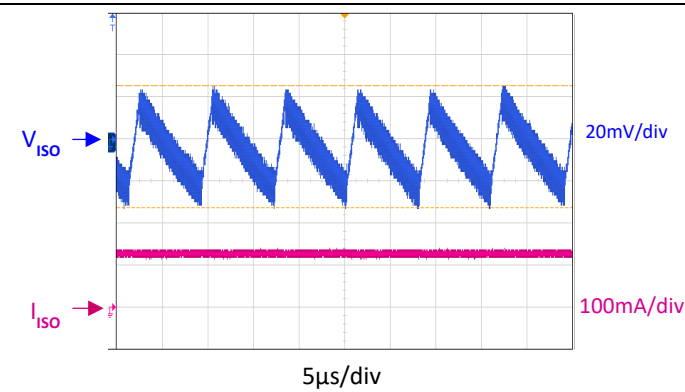
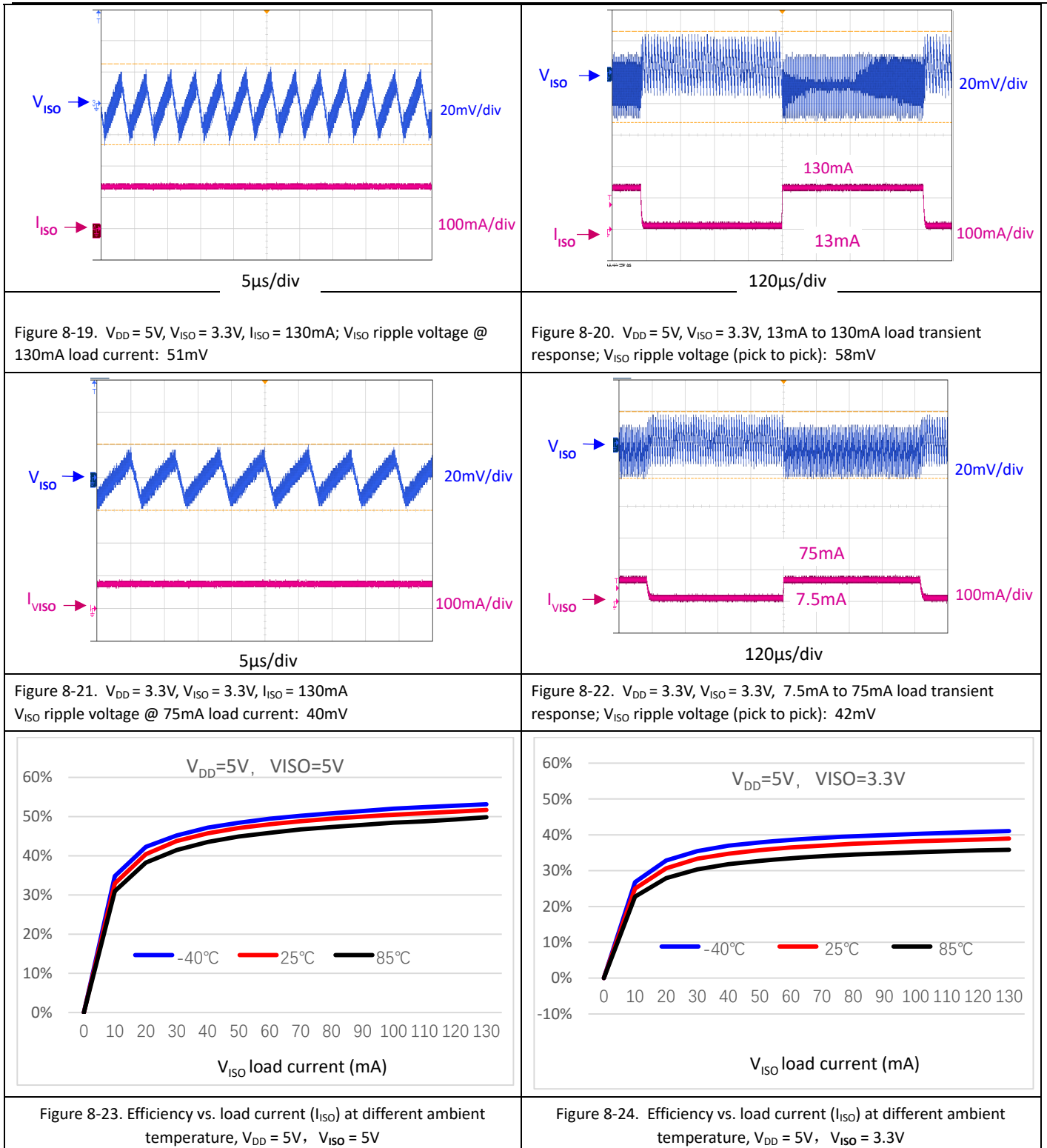


Figure 8-17. $V_{DD} = 5V$, $V_{ISO} = 5.0V$, $I_{ISO} = 130mA$;
 V_{ISO} ripple voltage @ 130mA load current: 58mV

Figure 8-18. $V_{DD} = 5V$, $V_{ISO} = 5V$, 13mA to 130mA load transient
response; V_{ISO} ripple voltage (pick to pick): 68mV



CA-IS3620, CA-IS3621

CA-IS3640, CA-IS3641, CA-IS3642, CA-IS3643, CA-IS3644

Version 1.08

Shanghai Chipanalog Microelectronics Co., Ltd.

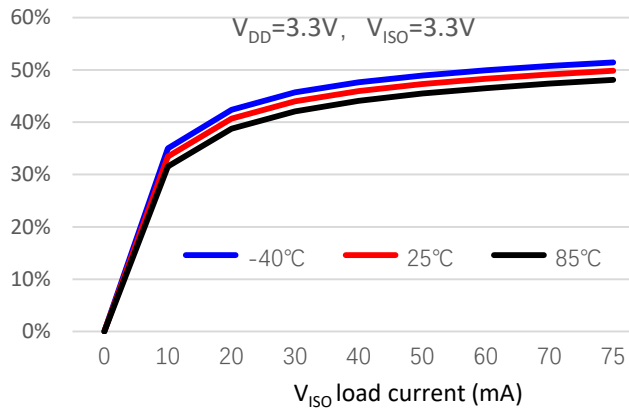
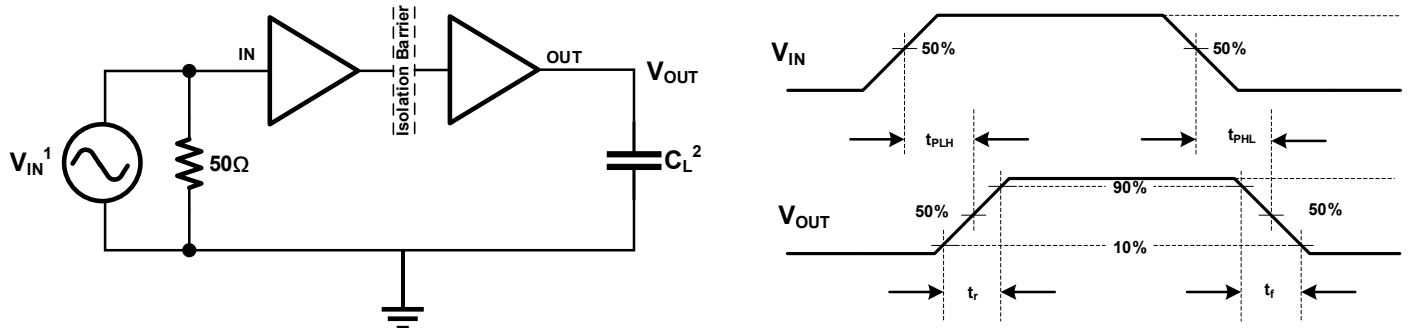


Figure 8-25. Efficiency vs. load current (I_{ISO}) at different ambient temperature, $V_{DD} = 3.3V$, $V_{ISO} = 3.3V$

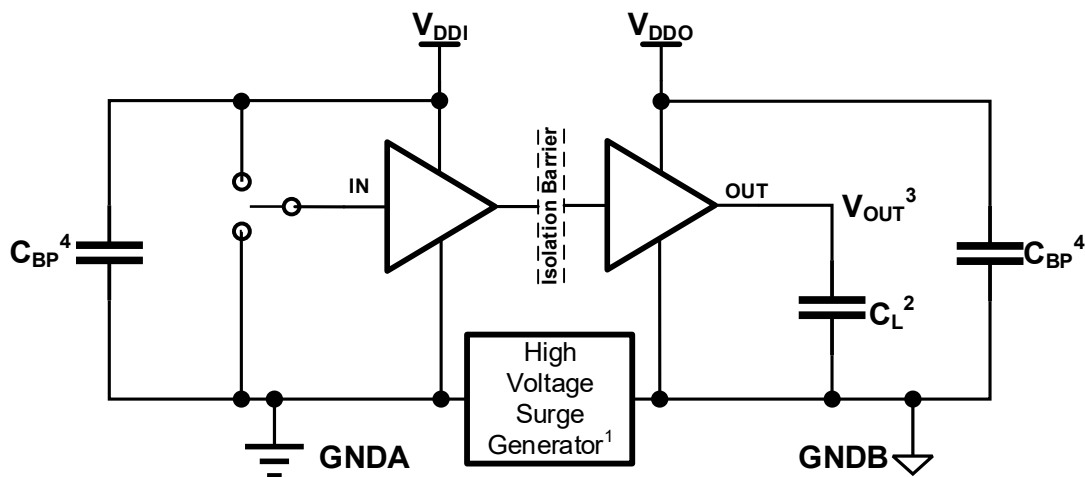
9 Parameter Measurement Information



Notes:

1. A square wave generator provide V_{IN} input signal with characteristics of frequency $\leq 100\text{kHz}$, 50% duty cycle, $t_r \leq 3\text{ns}$, $t_f \leq 3\text{ns}$, $Z_{out} = 50\Omega$. At the input, 50Ω resistor is required to terminate input generator signal. It is not needed in actual application.
2. $C_L = 15\text{pF}$, includes external circuit (instrumentation and fixture etc.) capacitance. Since the load capacitance influence the output rising time, it's a key factor in the timing characteristic measurement.

Figure 9-1. Timing Characteristics Test Circuit and Voltage Waveforms



Notes:

1. The High Voltage Surge Generator generates repetitive high voltage surges with $> 1.5\text{kV}$ amplitude, rise time $< 10\text{ns}$ and fall time $< 10\text{ns}$, to reach common-mode transient noise with $> 150\text{kV}/\mu\text{s}$ slew rate.
2. $C_L = 15\text{pF}$ and includes external circuit (instrumentation and fixture etc.) capacitance.
3. Pass-fail criteria: the output must remain stable.
4. C_{BP} ($0.1 \sim 1\mu\text{F}$) is bypass capacitance.

Figure 9-2. Common-Mode Transient Immunity Test Circuit

10 Detailed Description

10.1 Overview

The CA-IS36xx family of devices integrates most of the components needed for digital isolation application, a high-efficiency, low-emissions isolated DC-DC converter with internal transformer and high-speed isolated data channels, into a single, compact SOIC package. This results an efficient and compact fully integrated solution that complies with EMI requirements and makes system level design as easy as possible.

The CA-IS36xx family of devices offers dual-channel and four-channel digital galvanic isolators using Chipanalog’s full differential capacitive isolation technology. These devices have an ON-OFF keying (OOK) modulation scheme to transfer digital signals across the SiO₂ based isolation barrier between circuits with different power domains. The transmitter sends a high frequency carrier across the barrier to represent one digital state and sends no signal to represent the another digital state. The receiver demodulates the signal and recovery input signal at output through a buffer stage. With this OOK architecture, CA-IS36xx family of devices build a robust data transmission path between different power domains, without any special start-up initialization requirements. These devices also incorporate advanced full differential techniques to maximize the CMTI performance and minimize the radiated emissions due to the high frequency carrier and I/O buffer switching.

The internal DC-DC converter uses switched mode operation and proprietary PWM feedback circuit techniques to provide high efficiency and low radiated emissions. Undervoltage lockout (UVLO) with hysteresis is integrated on the V_{DD} supply which ensures robust system performance under noisy conditions. An integrated soft-start mechanism ensures controlled inrush current and avoids any overshoot on the output during power up.

10.2 Functional Block Diagram

The functional block diagram of CA-IS36xx devices is shown in Figure 10-1. The simplified functional block diagram of a typical signal isolation channel and a conceptual OOK operation waveform are shown in Figure 10-2 and Figure 10-3. Each channel of the CA-IS36xx is unidirectional, only passes data in one direction as indicated in the functional diagram and operates independently with guaranteed data rates from DC up to 100Mbps.

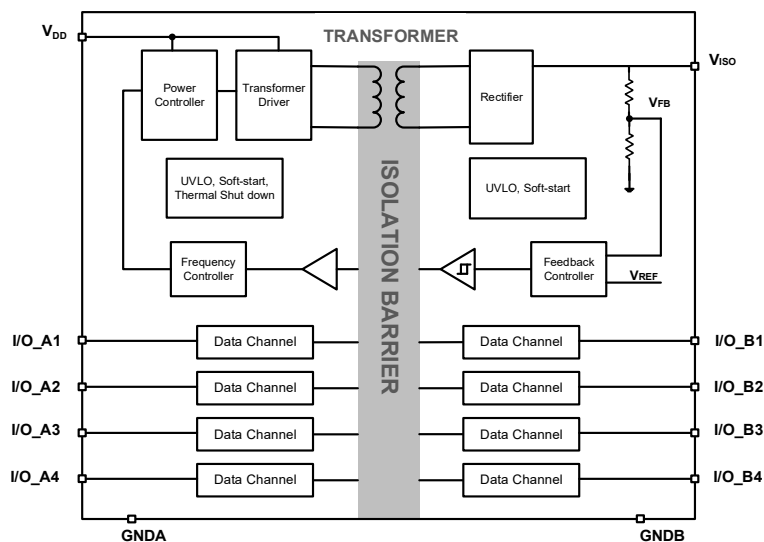


Figure 10-1. Functional Block Diagram of CA-IS36xx Devices

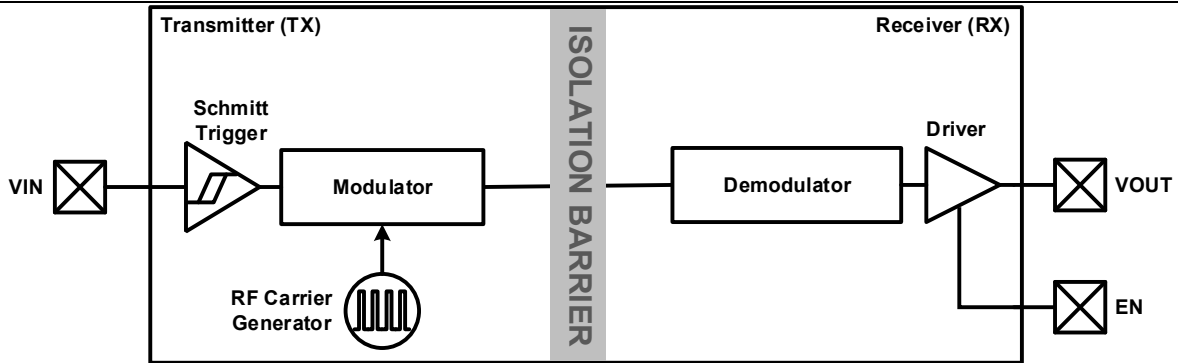


Figure 10-2. Functional Block Diagram of a Single Channel

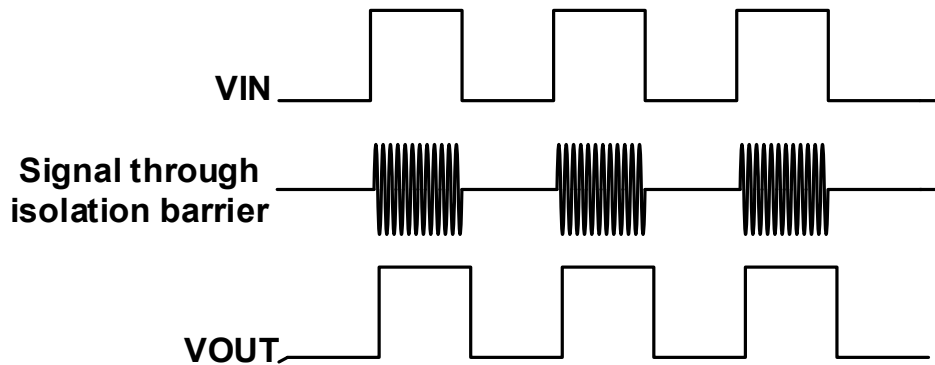


Figure 10-3. Operation Waveforms of a Single Channel

10.3 Undervoltage Protection

Below two tables show CA-IS36xxW and CA-IS36xxVW channel output in different supply configuration.

Table 10-1. CA-IS36xxW Channel Output in Different Supply Configuration

V_{DD} (V)	A side OUTPUT	B side OUTPUT
PD	High-Z	High-Z
PU	Normal	Normal

Table 10-2. CA-IS36xxVW Channel Output in Different Supply Configuration

V_{DD} (V)	V_{DDL} (V)	A side OUTPUT	B side OUTPUT
PD	PD	High-Z	High-Z
PD	PU	High-Z	High-Z
PU	PD	High-Z	Normal
PU	PU	Normal	Normal

Note: PU = Power up ($V_{DDL} \geq V_{DD}(UVLO+)$); PD = Power down ($V_{DDL} \leq V_{DD}(UVLO-)$)

10.4 Isolated Supply Output

The integrated isolated DC-DC converter based on PWM control structure provides up to 650mW of isolated power and different output voltage configurations. The V_{DD} supply is provided to the primary of power controller that switches the power stage connected to the integrated high-Q transformer. The output voltage V_{ISO} is monitored and a PWM signal based on feedback information is conveyed to the supply primary side through a dedicated isolation channel, the PWM duty cycle of the

CA-IS3620, CA-IS3621

CA-IS3640, CA-IS3641, CA-IS3642, CA-IS3643, CA-IS3644

Version 1.08

Shanghai Chipanalog Microelectronics Co., Ltd.

primary switching stage is adjusted accordingly. Power is transferred to the secondary side of transformer, internal rectified and regulated to either 3.3 V or 5 V, depending on the SEL pin status, see Table 10-3 for the supply configurations of CA-IS36xx devices. The maximum output current from V_{ISO} is shown as Table 10-4. Note that the I_{ISO} value in Table 10-4 is the maximum output current at +25°C. With the increase of temperature, especially when the temperature exceeds +85°C, the maximum load current will be decreased, see more details from Figure 8-11. to Figure 8-16.

Table 10-3. Supply Configuration

SEL INPUT	V_{DD}	V_{ISO}
Shorted to V_{ISO}	5 V	5V
Shorted to GNDB or floating	5 V	3.3V
Shorted to GNDB or floating	3.3 V ¹	3.3V ²

Notes:

- $V_{DD} = 3.3$ V, SEL shorted to V_{ISO} (essentially $V_{ISO} = 5$ V) is not recommended.
- The SEL pin has a weak pull-down internally. However, for $V_{ISO} = 3.3$ V, the SEL pin should be connected to the GNDB externally, especially in the noisy system.

Table 10-4. Maximum Output Current of V_{ISO} @ $T_A = 25^\circ\text{C}$

Supply Voltage V_{DD} (V)	V_{ISO} (V)	Part Number	Data Rate (bps)	I_{ISO} (mA)
4.5~5.5	5V or 3.3V	CA-IS36xx	<1M	130
3.15~3.6	3.3V			75
4.5~5.5	5V or 3.3V	CA-IS3622LW/CA-IS3622LVW/ CA-IS3622HW/CA-IS3622HVW/ CA-IS3644LW/CA-IS3644LVW/CA-IS3644HW/CA-IS3644HVW	100M	120
3.15~3.6	3.3V			65
4.5~5.5	5V or 3.3V	CA-IS3621LW/CA-IS3621LVW/ CA-IS3621HW/CA-IS3621HVW/ CA-IS3643LW/CA-IS3643LVW/CA-IS3643HW/CA-IS3643HVW	100M	110
3.15~3.6	3.3V			60
4.5~5.5	5V or 3.3V	CA-IS3620LW/CA-IS3620LVW/ CA-IS3620HW/CA-IS3620HVW/ CA-IS3642LW/CA-IS3642LVW/CA-IS3642HW/CA-IS3642HVW	100M	100
3.15~3.6	3.3V			55
4.5~5.5	5V or 3.3V	CA-IS3641LW/CA-IS3641LVW/ CA-IS3641HW/CA-IS3641HVW	100M	90
3.15~3.6	3.3V			50
4.5~5.5	5V or 3.3V	CA-IS3640LW/CA-IS3640LVW/CA-IS3640HW/CA-IS3640HVW	100M	80
3.15~3.6	3.3V			45

10.5 Operation Modes

Table 10-5 lists the operation modes for the CA-IS36xx devices.

Table 10-5. Operation Mode¹

V_{DD} ¹	INPUT(V_{Ix})	OUTPUT (V_{Ox})	OPERATION
PU	H	H	Normal operation mode: A channel output follows the logic state of its input.
	L	L	
	Open	Default	Default output mode: When input V_{Ix} is open, the corresponding channel output goes to its default logic state. Default is <i>High</i> for CA-IS36xxH and Low for CA-IS36xxL.
PD	X	Undetermined ²	If the V_{DD} is unpowered, a channel output is undetermined.

Notes:

- V_{DD} = Input-side power supply; PU = Powered up ($V_{DD} \geq 3.15$ V); PD = Powered down ($V_{DD} \leq 2.0$ V); X = Don't care; H = High level; L = Low level.
- The outputs are in undetermined state when $V_{DD} < 2.0$ V.

11 Application and Implementation

11.1 Typical Application

The CA-IS36xx isolation ICs provide complete galvanic isolation between two power domains, protecting circuits from high common-mode transients and faults, eliminating ground loops. In many applications, digital isolators are replacing optocouplers because they can reduce the power requirements and take up less board space while offering the same isolation capability. Unlike optocouplers, which require external components to improve performance, provide bias, or limit current, the CA-IS36xx devices integrated both signal and power isolation, only require few external bypass capacitors to operate, and save an external isolated power supply on side-B, help designers to simplify system-level design and reduces board area. These devices are ideal for applications that have limited board space and desire more integration. Figure 11-1 shows typical operating circuit of the CA-IS3642; Figure 11-2 is the typical schematic of CA-IS3641 in SPI isolation application.

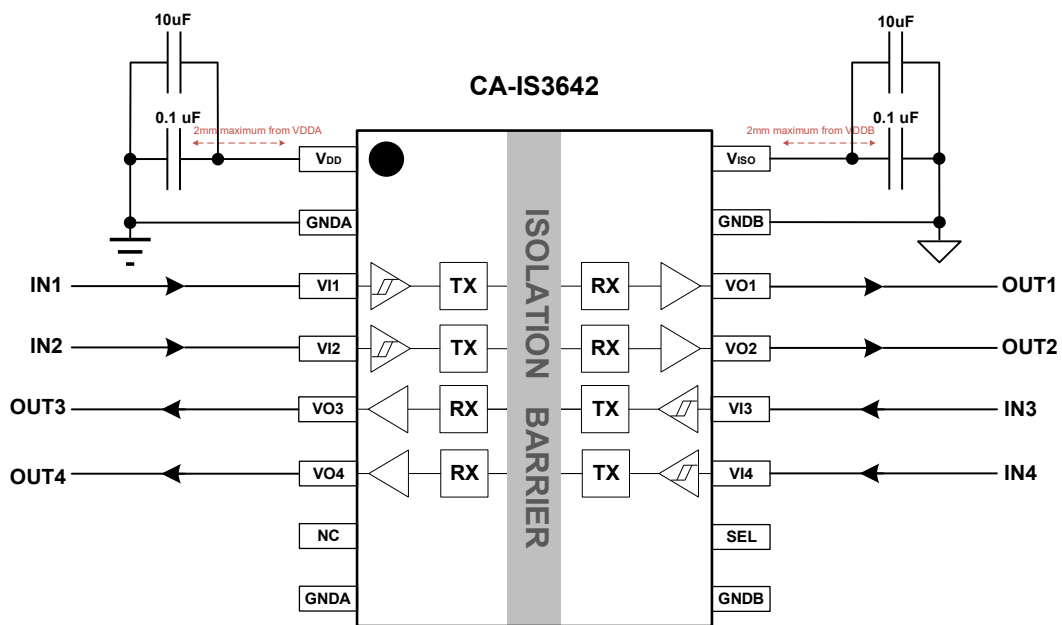


Figure 11-1. Typical Application Circuit of CA-IS3642

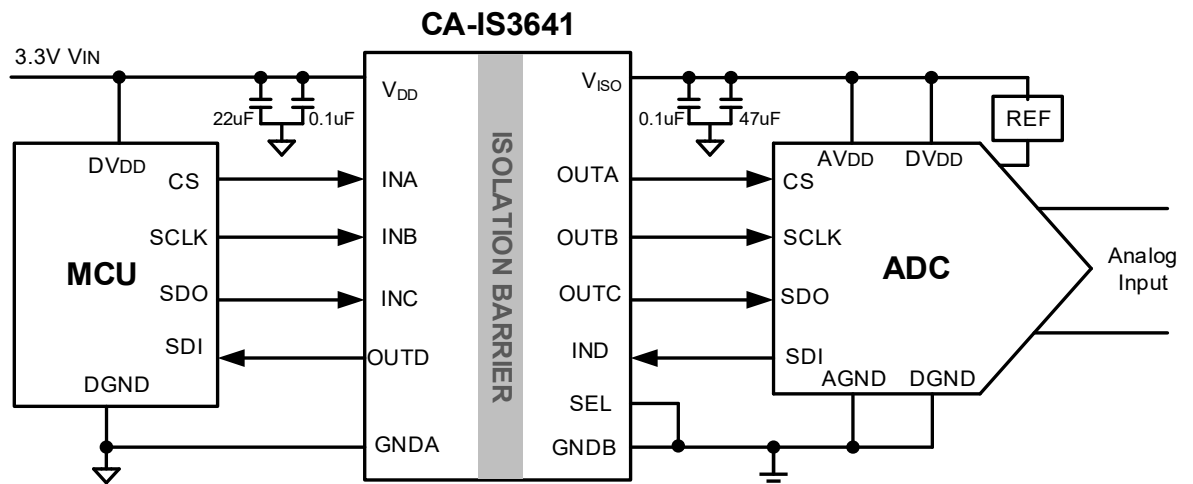


Figure 11-2. CA-IS3641 provides SPI isolation and isolated power for ADC

The CA-IS36xx family devices do not require special power supply sequencing. The logic levels are set independently on either side by V_{DD}/V_{DDL} (side-A) and V_{ISO} (side-B). When designing with digital isolators, keep in mind that because of the single-ended design structure, digital isolators do not conform to any specific interface standard and are only intended for isolating single-ended CMOS or TTL digital signal lines. The isolator is typically placed between the data controller (that is, MCU or FPGA), and a data converter or a line transceivers etc., regardless of the interface type or standard. The PCB designer should follow some critical recommendations in order to get the best performance from the design, especially for the high-speed operating digital circuit boards, see PCB Layout Guidelines section.

11.2 PCB Layout Guidelines

High switching frequencies and large peak currents make PCB layout very important for the digital isolators with internal DC-DC converter. Good PCB design minimizes excessive electromagnetic interference (EMI) and voltage gradients in the ground plane to avoid instability and regulation errors. Even with the high level of integration design, users may fail to achieve specified operation with a poor layout. So careful PCB layout is critical to achieve clean and stable operation.

In the typical application circuit, the input capacitors (0.1 μ F and a bulk capacitor with at least 10 μ F capacitance) between V_{DD} and GNDA are required to reduce the peak current drawn from input power source and reduce the switching noise, increase internal DC-DC efficiency. For the supply input capacitors, choose the ceramic capacitor because they have the lowest equivalent series resistance (ESR), smallest size, and lowest cost. For most applications, we recommend to use at least 0.1 μ F and a 10 μ F ceramic capacitors with X5R or X7R temperature characteristic. When operating at a V_{DD} voltage close to the UVLO threshold, more input capacitance may be required to keep the input voltage ripple from tripping the UVLO protection. Also, these low-ESR ceramic bypass capacitors must be placed as close to the chip pads as possible. For the logic supply input, we recommend to use a 1 μ F ceramic capacitors with X5R or X7R between V_{DDL} pin and GNDA. On side-B, the supply output capacitors between V_{ISO} and GNDB are required as well to keep the output voltage ripple small and to ensure loop stability. These bypass capacitors must have low impedance at the switching frequency. Ceramic capacitors are recommended due to their small size and low ESR. Make sure the capacitor does not degrade its capacitance significantly over temperature and DC bias. Although a 10 μ F capacitor is adequate, higher decoupling capacitors (such as 47 μ F) on both V_{DD} and V_{ISO} pins to the respective grounds are strongly recommended to provide better noise and ripple performance, because of very-high current flowing through the V_{DD} and V_{ISO} supplies.

Place the supply input capacitors, supply output capacitors, and the CA-IS36xx IC on the same PCB layer. The paths must be wide and short to minimize inductance, also any via holes must be avoided on these paths. See Figure 11-3 recommended components placement for the PCB layout.

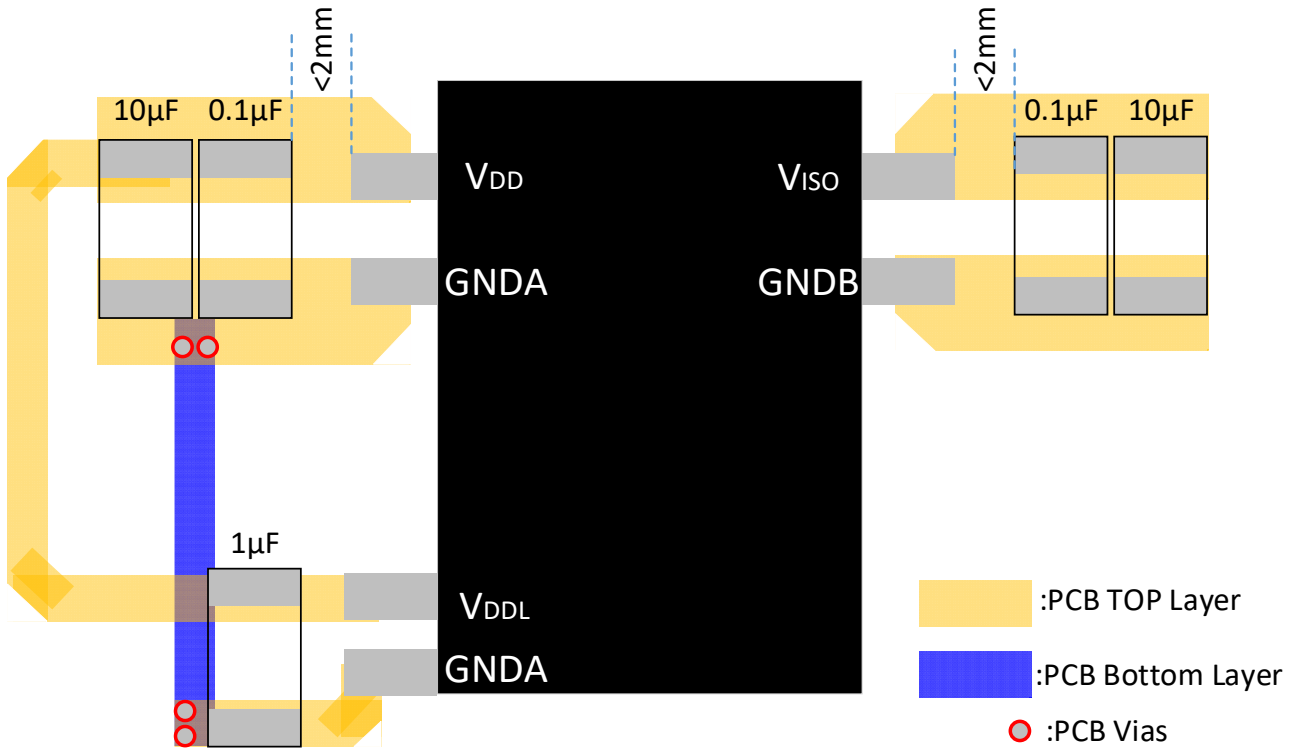
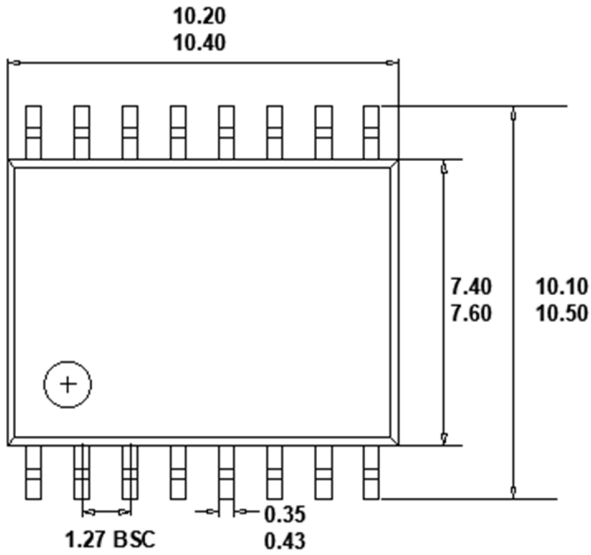


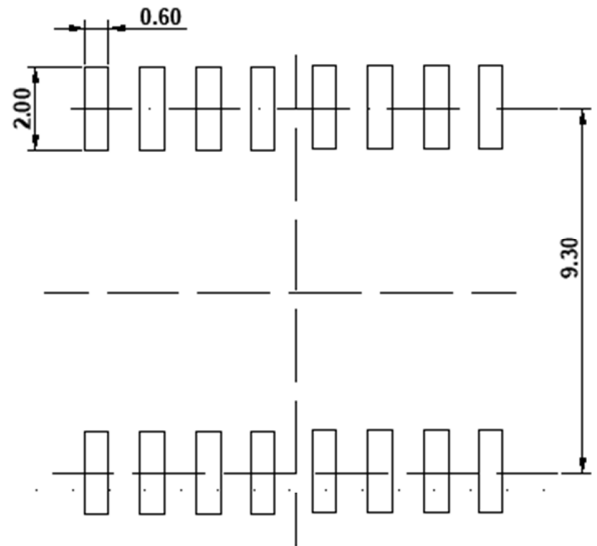
Figure 11-3. Recommended PCB layout for CA-IS36xxVW with $V_{DDL} = V_{DD}$

12 Package Information

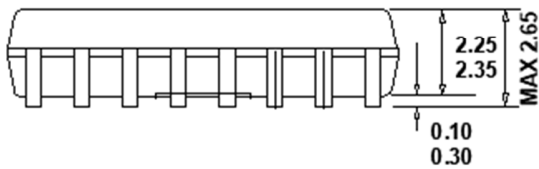
16-Pin Wide Body SOIC Package Outline



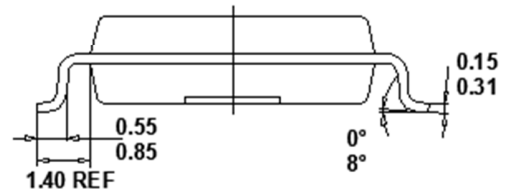
TOP VIEW



RECOMMENDED LAND PATTERN



FRONT VIEW



LEFT SIDE VIEW

Note:

1. All dimensions are in millimeters, angles are in degrees.

13 Soldering Temperature (reflow) Profile

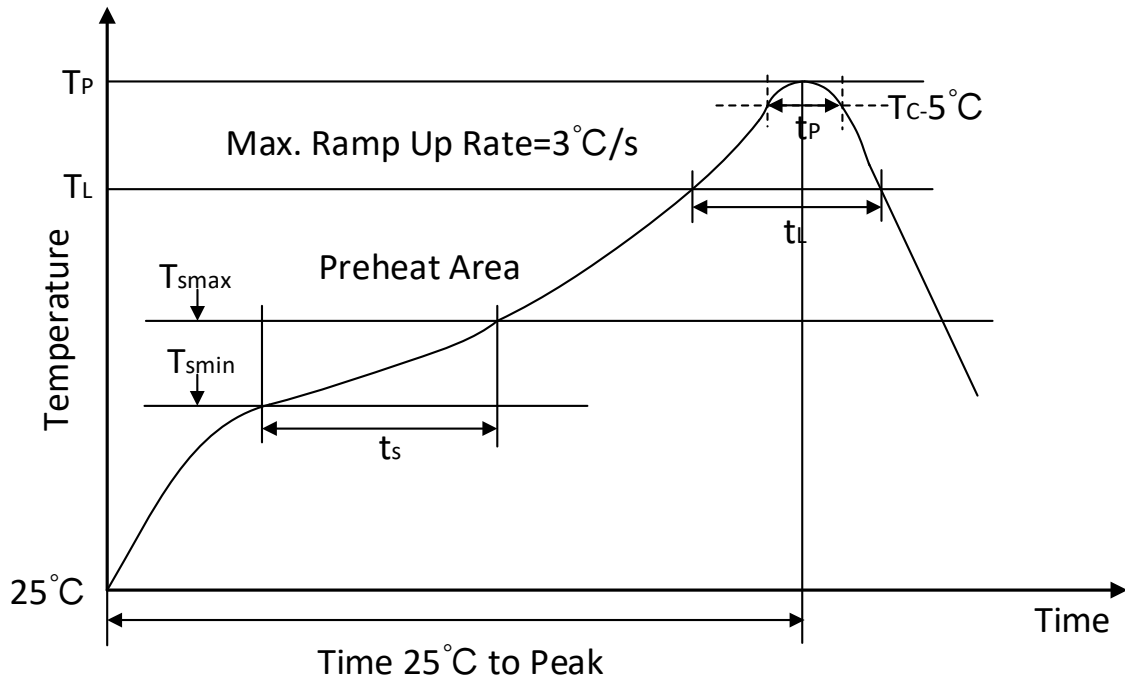


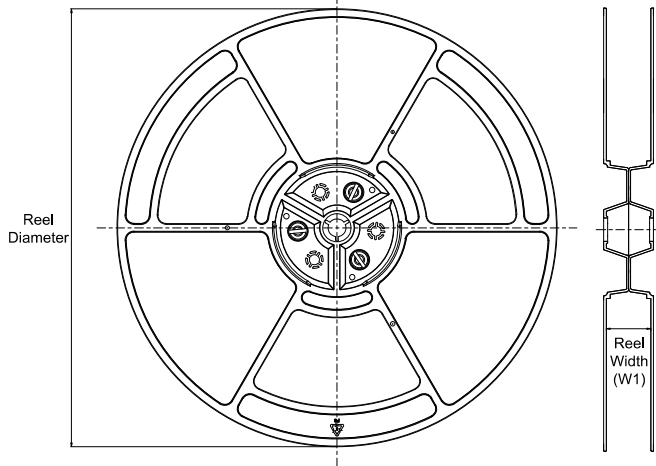
Figure 13-1. Soldering Temperature (reflow) Profile

Table 13-1. Soldering Temperature Parameter

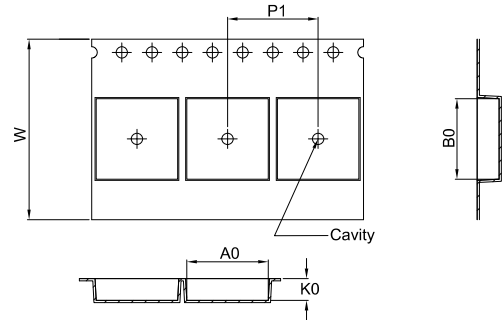
Profile Feature	Pb-Free Assembly
Average ramp-up rate(217 °C to Peak)	3°C/second max
Time of Preheat temp(from 150 °C to 200 °C)	60-120 second
Time to be maintained above 217 °C	60-150 second
Peak temperature	260 +5/-0 °C
Time within 5 °C of actual peak temp	30 second
Ramp-down rate	6 °C/second max.
Time from 25°C to peak temp	8 minutes max

14 Tape and Reel Information

REEL DIMENSIONS

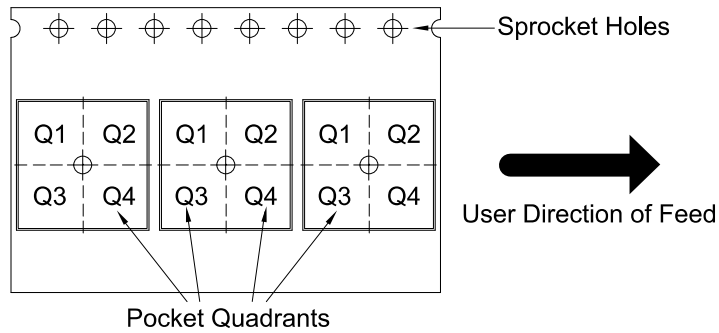


TAPE DIMENSIONS



A0	Dimension designed to accommodate the component width
B0	Dimension designed to accommodate the component length
K0	Dimension designed to accommodate the component thickness
W	Overall width of the carrier tape
P1	Pitch between successive cavity centers

QUADRANT ASSIGNMENTS FOR PIN 1 ORIENTATION IN TAPE



Device	Package Type	Package Drawing	Pins	SPQ	Reel Diameter (mm)	Reel Width W1 (mm)	A0 (mm)	B0 (mm)	K0 (mm)	P1 (mm)	W (mm)	Pin1 Quadrant
CA-IS3620LW	SOIC	W	16	1000	330	16.4	10.9	10.7	3.2	12.0	16.0	Q1
CA-IS3621LW	SOIC	W	16	1000	330	16.4	10.9	10.7	3.2	12.0	16.0	Q1
CA-IS3622LW	SOIC	W	16	1000	330	16.4	10.9	10.7	3.2	12.0	16.0	Q1
CA-IS3622HW	SOIC	W	16	1000	330	16.4	10.9	10.7	3.2	12.0	16.0	Q1
CA-IS3640LW	SOIC	W	16	1000	330	16.4	10.9	10.7	3.2	12.0	16.0	Q1
CA-IS3640HW	SOIC	W	16	1000	330	16.4	10.9	10.7	3.2	12.0	16.0	Q1
CA-IS3641LW	SOIC	W	16	1000	330	16.4	10.9	10.7	3.2	12.0	16.0	Q1
CA-IS3640HW	SOIC	W	16	1000	330	16.4	10.9	10.7	3.2	12.0	16.0	Q1
CA-IS3642LW	SOIC	W	16	1000	330	16.4	10.9	10.7	3.2	12.0	16.0	Q1
CA-IS3642HW	SOIC	W	16	1000	330	16.4	10.9	10.7	3.2	12.0	16.0	Q1
CA-IS3643LW	SOIC	W	16	1000	330	16.4	10.9	10.7	3.2	12.0	16.0	Q1
CA-IS3643HW	SOIC	W	16	1000	330	16.4	10.9	10.7	3.2	12.0	16.0	Q1
CA-IS3644LW	SOIC	W	16	1000	330	16.4	10.9	10.7	3.2	12.0	16.0	Q1
CA-IS3644HW	SOIC	W	16	1000	330	16.4	10.9	10.7	3.2	12.0	16.0	Q1
CA-IS3620LVW	SOIC	W	16	1000	330	16.4	10.9	10.7	3.2	12.0	16.0	Q1
CA-IS3620HVW	SOIC	W	16	1000	330	16.4	10.9	10.7	3.2	12.0	16.0	Q1
CA-IS3621LVW	SOIC	W	16	1000	330	16.4	10.9	10.7	3.2	12.0	16.0	Q1
CA-IS3621HVW	SOIC	W	16	1000	330	16.4	10.9	10.7	3.2	12.0	16.0	Q1
CA-IS3622LVW	SOIC	W	16	1000	330	16.4	10.9	10.7	3.2	12.0	16.0	Q1
CA-IS3622HVW	SOIC	W	16	1000	330	16.4	10.9	10.7	3.2	12.0	16.0	Q1
CA-IS3640LVW	SOIC	W	16	1000	330	16.4	10.9	10.7	3.2	12.0	16.0	Q1
CA-IS3640HVW	SOIC	W	16	1000	330	16.4	10.9	10.7	3.2	12.0	16.0	Q1
CA-IS3641LVW	SOIC	W	16	1000	330	16.4	10.9	10.7	3.2	12.0	16.0	Q1
CA-IS3640HVW	SOIC	W	16	1000	330	16.4	10.9	10.7	3.2	12.0	16.0	Q1
CA-IS3642LVW	SOIC	W	16	1000	330	16.4	10.9	10.7	3.2	12.0	16.0	Q1
CA-IS3642HVW	SOIC	W	16	1000	330	16.4	10.9	10.7	3.2	12.0	16.0	Q1
CA-IS3643LVW	SOIC	W	16	1000	330	16.4	10.9	10.7	3.2	12.0	16.0	Q1
CA-IS3643HVW	SOIC	W	16	1000	330	16.4	10.9	10.7	3.2	12.0	16.0	Q1
CA-IS3644LVW	SOIC	W	16	1000	330	16.4	10.9	10.7	3.2	12.0	16.0	Q1
CA-IS3644HVW	SOIC	W	16	1000	330	16.4	10.9	10.7	3.2	12.0	16.0	Q1

15 IMPORTANT NOTICE

The above information is for reference only and is used to assist Chipanalog customers in design and development. Chipanalog reserves the right to change the above information due to technological innovation without prior notice.

Chipanalog products are all factory tested. The customers shall be responsible for self-assessment and determine whether it is applicable for their specific application. Chipanalog's authorization to use the resources is limited to the development of related applications that the Chipanalog products involved in. In addition, the resources shall not be copied or displayed. And Chipanalog shall not be liable for any claim, cost, and loss arising from the use of the resources.

Trademark Information

Chipanalog Inc. ®, Chipanalog® are trademarks or registered trademarks of Chipanalog.



<http://www.chipanalog.com>