

CA-IS305x 3.75kV_{RMS}/5kV_{RMS}/7.5kV_{RMS} Isolated CAN Transceivers

1 Features

- **Meets the ISO 11898-2 physical layer standards**
- **Integrated protection increases robustness**
 - 3.75kV_{RMS}, 5kV_{RMS} and 7.5kV_{RMS} withstand isolation voltage for 60s (galvanic isolation)
 - ±150kV/μs typical CMTI
 - ±58V fault-tolerant CANH and CANL
 - ±30V extended common-mode input range (CMR)
 - Driver dominant timeout prevents lockup, data rates down to 5.5kbps
 - Thermal shutdown protection
- **Date rate is up to 1Mbps**
- **Low loop delay: 150ns (typical), 210ns (maximum)**
- **2.5V to 5.5V I/O voltage range, supports 2.7V, 3V, 3.3V and 5V CAN controller interface**
- **Ideal passive behavior when unpowered**
- **Wide operating temperature range: -40°C to 125°C**
- **Multiple package options: SOIC8-WB (G), SOIC16-WB (W), DUB8 (U) and SOIC8-WWB (WG)**
- **Safety Regulatory Approvals**
 - VDE certification according to DIN EN IEC60747-17(VDE 0884-17):2021-10
 - UL certification according to UL 1577
 - CQC certification according to GB4943.1-2022
 - TUV certification:
 - according to EN 61010-1
 - according to EN 62368-1

2 Applications

- Industrial Controls
- Building Automation
- Security and Protection System
- Transportation
- Medical
- Telecom
- HVAC

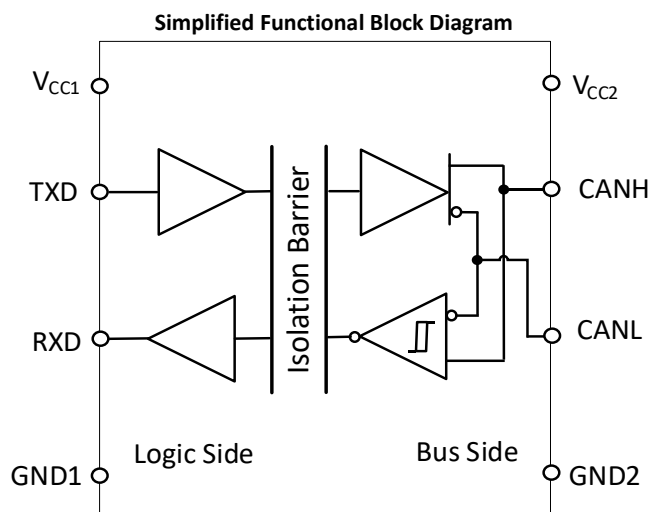
3 General Description

The CA-IS305x family of devices is galvanically-isolated controller area network (CAN) transceiver that has superior isolation and CAN performance to meet the needs of the industrial applications. All devices of this family have the logic input and output buffers separated by a silicon oxide (SiO₂) insulation barrier that provides galvanic isolation. Isolation improves communication by breaking ground loops and reduces noise where there are large differences in ground potential between ports. Both the CA-IS3050 and the CA-IS3052 are available in wide-body SOIC8 and SOIC16 packages, but offer different pinout; also, the CA-IS3050 is available in DUB8 and super wide-body SOIC8 packages. The SOIC16-WB (W) is the industry standard isolated CAN package while the SOIC8-WB (G) and DUB8 (U) are much smaller packages that further reduce the board space in addition to reduced components due to integration of isolation and CAN with protection features. The CA-IS3050U provides up to 3.75V_{RMS} (60s) of galvanic isolation; The CA-IS305xG/W provide up to 5kV_{RMS} (60s) of galvanic isolation; The CA-IS3050WG provides up to 7.5kV_{RMS} (60s) of galvanic isolation.

These transceivers operate up to 1Mbps data rate and feature integrated protection for robust communication, including current limit, thermal shutdown, and the extended ±58V fault protection on the CAN bus for equipment where overvoltage protection is required. The dominant timeout detection prevents bus lockup caused by controller error or by a fault on the TXD input. These CAN receivers also incorporate an input common-mode range (CMR) of ±30V, exceeding the ISO 11898 specification of -2V to +7V. All devices operate over -40°C to +125°C temperature range.

Device information

Part Number	Package	Package size (nominal value)
CA-IS3050G	SOIC8-WB (G)	5.85mm × 7.50mm
CA-IS3052G		
CA-IS3050W	SOIC16-WB (W)	10.30mm × 7.50mm
CA-IS3052W		
CA-IS3050U	DUB8 (U)	9.20mm × 6.62mm
CA-IS3050WG	SOIC8-WWB (WG)	6.40mm × 14.00mm



4 Ordering Information

Table 4-1 Ordering Information

Part Number	V _{CC1} (V)	V _{CC2} (V)	Data Rate (kbps)	Galvanic Isolation (V _{RMS})	Package
CA-IS3050G	2.5~5.5	4.5~5.5	1000	5000	SOIC8-WB (G)
CA-IS3050W	2.5~5.5	4.5~5.5	1000	5000	SOIC16-WB (W)
CA-IS3052G	2.5~5.5	4.5~5.5	1000	5000	SOIC8-WB (G)
CA-IS3052W	2.5~5.5	4.5~5.5	1000	5000	SOIC16-WB (W)
CA-IS3050U	2.5~5.5	4.5~5.5	1000	3750	DUB8 (U)
CA-IS3050WG	2.5~5.5	4.5~5.5	1000	7500	SOIC8-WWB (WG)

Contents

1	Features	1	9	Detailed Description	15
2	Applications.....	1	9.1	Overview	15
3	General Description	1	9.2	CAN Bus Status.....	15
4	Ordering Information	2	9.3	Receiver	15
5	Revision history	3	9.4	Driver	15
6	Pin Configuration and Functions	5	9.5	Protection Functions.....	16
6.1	CA-IS3050x Pin Configuration and Functions	5	9.5.1	Signal Isolation and Protection	16
6.2	CA-IS3052x Pin Configuration and Functions	6	9.5.2	Thermal Shutdown Protection.....	16
7	Specifications.....	7	9.5.3	Current Limiting Protection	16
7.1	Absolute Maximum Ratings ¹	7	9.5.4	Driver Dominant Timeout.....	16
7.2	ESD Ratings.....	7	10	Application Information	17
7.3	Recommended Operating Conditions	7	11	Package Information	19
7.4	Insulation Specifications.....	8	11.1	SOIC8-WB Package.....	19
7.5	Safety-Related Certifications	9	11.2	SOIC16-WB Package.....	20
7.6	Thermal Information	9	11.3	DUB8 Package	21
7.7	Electrical Characteristics	10	11.4	SOIC8-WWB Package	22
7.8	Switching Characteristics.....	11	12	Soldering Information	23
8	Parameter Measurement Information	12	13	Tape and Reel Information	24
			14	Important Statement	25

5 Revision history

Revision Number	Description	Revised Date	Page Changed
Revision 0	initial version	--	N/A
Revision A	Update <i>ESD Ratings</i>	--	6
	Update <i>Insulation Specifications</i>		7
	Update <i>Electrical Characteristics</i> : Changed CMTI typical value to 150kV/μs Changed CMTI minimum value to 100kV/μs		7
Revision B	Update <i>Safety-Related Certifications</i>	--	8
Revision C	Added DUB8 package part	--	2
Revision D	Changed V _{ISO} and V _{TOM} specs of the CA-IS3050U	--	7
Revision E	Updated <i>Tape and Reel Information</i> Added <i>Soldering Temperature Information</i>	--	21, 22
Revision F	Updated pin configuration of the CA-IS3050U	--	4
	Changed the fault protection voltage on the bus to ±58V		6
	Updated ESD HBM protection voltage		6
	Updated TXD input specs.		6
	Updated thermal shutdown temperature		6
	Changed the receiver output current to ±4mA		6
	Updated <i>Table 7.7 Electrical Characteristics</i>		9
	Updated <i>Table 7.8 Switching Characteristics</i>		10
	Removed <i>Figure. 8-12</i>		13
	Updated the typical application circuit		16

CA-IS3050G, CA-IS3052G, CA-IS3050W, CA-IS3052W, CA-IS3050U, CA-IS3050WG
Version 1.12
Shanghai Chipanalog Microelectronics Co., Ltd.

Version 1.00	N/A	--	N/A
Version 1.01	Updated DUB8 package outline	--	18
Version 1.02	Updated <i>Table 9-2 Driver Truth Table</i>	--	14
Version 1.03	Updated Figure10-2	2022/01/10	18
Version 1.04	Changed part with SOIC16-WB package: V_{IORM} to 1414V, V_{IOWM} AC RMS value to 1000V and DC value to 1414V.	2022/03/23	7
Version 1.05	Added V_{CC1} and V_{CC2} UVLO	2022/05/02	9
Version 1.06	Revised POD and Type reel information	2022/12/20	19, 20, 21, 23
Version 1.07	Updated UVLO description and added upper and lower limit	2023/04/27	10
Version 1.08	Update VDE information	2023/11/13	8, 9
Version 1.09	Update VDE, UL, CQC, TUV information Update the test conditions of V_{IOSM}	2024/04/16	1, 8, 9
Version 1.10	Add part number for SOIC8-WWB packaging: CA-IS3050WG	2024/07/02	1, 2, 5, 8, 9, 10, 15, 22, 24
	Update section 7.3 V_{IH} and V_{IL} for recommended operating conditions		7
	Update safety-related certifications information		8, 9
	Update test conditions and typical value for I_{CC1}		10
	Update recommended land pattern for SOIC8-WB and SOIC16-WB		19, 20
	Update POD for DUB8		21
Version 1.11	Update TUV information: add EN 62368-1 standard Change the TUV Certification number to the Client reference number	2024/09/29	1, 9
Version 1.12	Add CQC certification number for DUB8 package	2025/01/22	9
	Update thermal information for SOIC8-WWB package		9

6 Pin Configuration and Functions

6.1 CA-IS3050x Pin Configuration and Functions

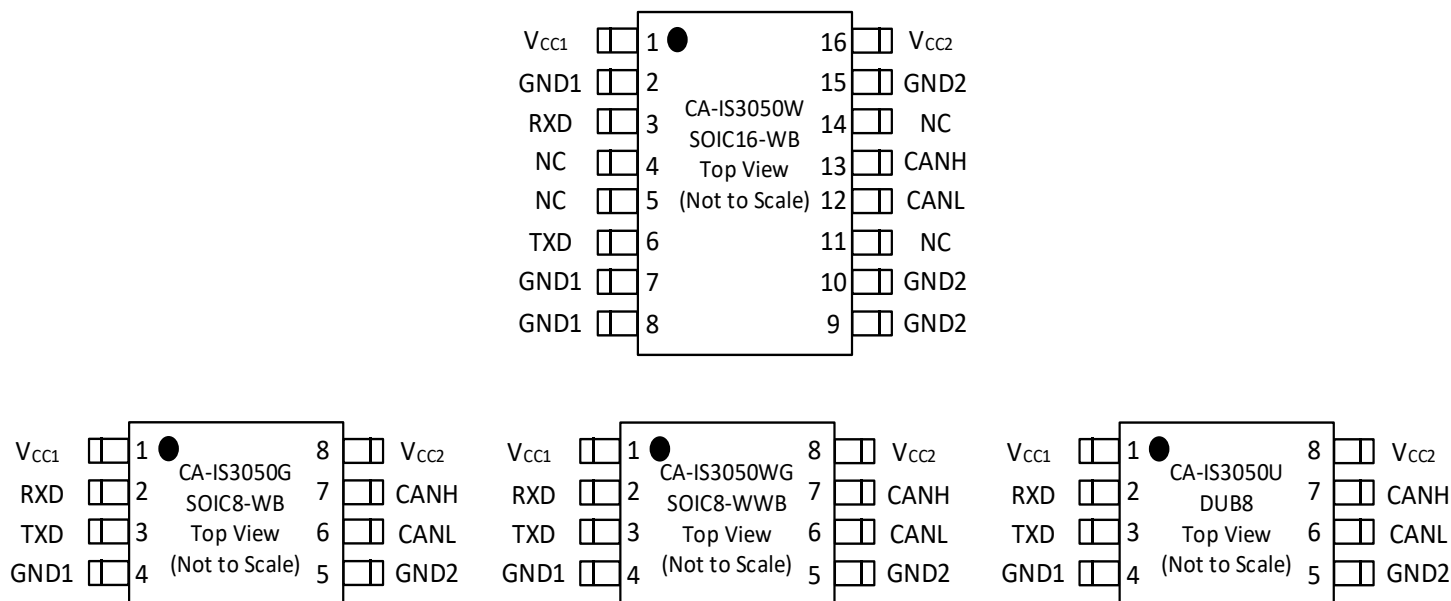


Figure 6-1 CA-IS3050 Pin Configuration

Table 6-1 CA-IS3050 Pin Configuration and Description

Pin name	Pin number		Type	Description
	SOIC16	SOIC8/DUB8		
V _{CC1}	1	1	Power supply	Power supply input for the logic side. Bypass V _{CC1} to GND1 with a 0.1μF capacitor as close to the device as possible.
GND1	2, 7, 8	4	Ground	Logic side ground.
RXD	3	2	Digital I/O	Receiver output. RXD is high when the bus is in the recessive state. RXD is low when the bus is in the dominant state.
NC	4, 5, 11, 14	--	--	No connection, do not connect these pins and leave them open.
TXD	6	3	Digital I/O	Driver data input. CANH and CANL are in the dominant state when TXD is low. CANH and CANL are in the recessive state when TXD is high.
GND2	9, 10, 15	5	Ground	Bus side ground.
CANL	12	6	Bus I/O	Low-level CAN differential line.
CANH	13	7	Bus I/O	High-level CAN differential line.
V _{CC2}	16	8	Power supply	Power supply input for the bus side. Bypass V _{CC2} to GND2 with a 0.1μF capacitor as close to the device as possible.

6.2 CA-IS3052x Pin Configuration and Functions

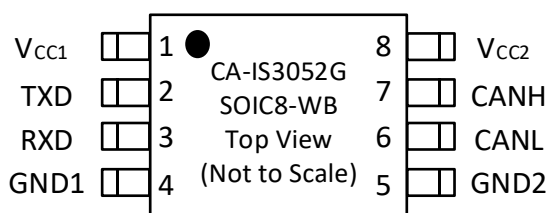
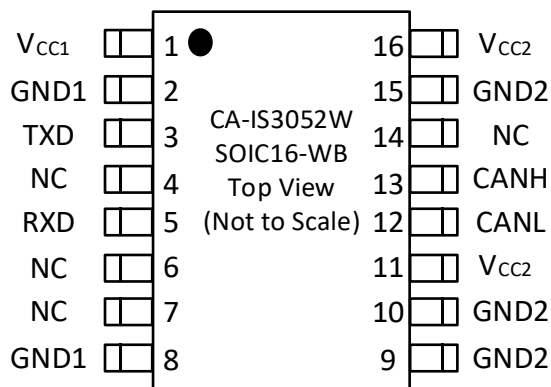


Figure. 6-2 CA-IS3052 Pin Configuration

Table 6-2 CA-IS3052 Pin Configuration and Description

Pin name	Pin number		Type	Description
	SOIC16	SOIC8		
V _{CC1}	1	1	Power supply	Power supply input for the logic side. Bypass V _{CC1} to GND1 with 0.1μF capacitor as close to the device as possible.
GND1	2, 8	4	Ground	Logic side ground.
TXD	3	2	Digital I/O	Driver data input. CANH and CANL are in the dominant state when TXD is low. CANH and CANL are in the recessive state when TXD is high.
NC	4, 6, 7, 14	--	--	No connection, do not connect these pins, leave them open.
RXD	5	3	Digital I/O	Receiver output. RXD is high when the bus is in the recessive state. RXD is low when the bus is in the dominant state.
GND2	9, 10, 15	5	Ground	Bus side ground.
CANL	12	6	Bus I/O	Low-level CAN differential line.
CANH	13	7	Bus I/O	High-level CAN differential line.
V _{CC2}	11, 16	8	Power supply	Power supply input for the bus side. Bypass V _{CC2} to GND2 with 0.1μF capacitor as close to the device as possible.

7 Specifications

7.1 Absolute Maximum Ratings¹

Parameters		Minimum value	Maximum value	Unit
V_{CC1} Or V_{CC2}	Power supply voltage ²	-0.5	6.0	V
V_I	Logic side voltage (TXD, refers to GND1)	-0.5	$V_{CC1} + 0.5^3$	V
V_{CANH} Or V_{CANL}	Bus side single-ended voltage (CANH or CANL, refers to GND2)	-58	58	V
$V_{CANH} - V_{CANL}$	Bus side differential voltage (CANH to CANL)	-58	58	V
I_O	Receiver output current	-15	15	mA
T_J	Junction temperature		150	°C
T_{STG}	Storage temperature range	-65	150	°C

Notes:

- The stresses listed under “Absolute Maximum Ratings” are stress ratings only, not for functional operation condition. Exposure to absolute maximum rating conditions for extended periods may cause permanent damage to the device.
- All voltage values except differential I/O bus voltages are with respect to the local ground (GND1 or GND2) and are peak voltage values.
- Maximum voltage must not exceed 6V.

7.2 ESD Ratings

		Numerical value	Unit
V_{ESD} Electrostatic discharge	Human body model (HBM), per ANSI/ESDA/JEDEC JS-001, bus pins to GND2	±8000	V
	Human body model (HBM), per ANSI/ESDA/JEDEC JS-001, all other pins ¹	±4000	
	Charged device model (CDM), per JEDEC specification JESD22-C101, all pins ²	±1500	

Notes:

- Per JEDEC document JEP155, 500V HBM allows safe manufacturing of standard ESD control process.
- Per JEDEC document JEP157, 250V CDM allows safe manufacturing of standard ESD control process.

7.3 Recommended Operating Conditions

Parameters		MIN	TYP	MAX	Unit
V_{CC1}	Logic side power voltage	2.5	3.3	5.5	V
V_{CC2}	Bus side power voltage	4.5	5	5.5	V
V_I or V_{IC}	Voltage at bus pins (separately or common mode)	-30		30	V
V_{IH}	Input high voltage	Driver (TXD)			V
V_{IL}	Input low voltage	Driver (TXD)		0.8	V
V_{ID}	Differential input voltage	-30		30	V
I_{OH}	High-level output current	Driver			mA
		Receiver	-70		
I_{OL}	Low-level output current	Driver		70	mA
		Receiver	-4	4	
T_A	Ambient temperature	-40		125	°C
T_J	Junction temperature	-40		150	°C
P_D	Total power dissipation	$V_{CC1} = 5.5V, V_{CC2} = 5.25V, T_A = 125^\circ C, R_L =$		200	mW
P_{D1}	Logic side power dissipation	60Ω, TXD input is 500 kHz, 50% duty		25	mW
P_{D2}	Bus side power dissipation	cycle square wave		175	mW
$T_{J(shutdown)}$	Thermal shutdown temperature ¹		190		°C

Note:

- Extended operation in thermal shutdown may affect device reliability.

7.4 Insulation Specifications

Parameters		Test conditions	Value			Unit
			U	G/W	WG	
CLR	External clearance ¹	Shortest terminal-to-terminal distance through air	6.1	8	15	mm
CPG	External creepage ¹	Shortest terminal-to-terminal distance across the package surface	6.8	8	15	mm
DTI	Distance through the insulation	Minimum internal gap (internal clearance)	28	28	28	μm
CTI	Comparative tracking index	DIN EN 60112 (VDE 0303-11); IEC 60112	>600	>600	>600	V
	Material group	Per IEC 60664-1	I	I	I	
	Overvoltage category per IEC 60664-1	Rated mains voltage ≤ 150V _{RMS}	I-IV	I-IV	I-IV	
		Rated mains voltage ≤ 300V _{RMS}	I-III	I-IV	I-IV	
		Rated mains voltage ≤ 600V _{RMS}	N/A	I-IV	I-IV	
		Rated mains voltage ≤ 1000V _{RMS}	N/A	I-III	I-IV	
DIN V VDE V 0884-17:2021-10²						
V _{IORM}	Maximum repetitive peak isolation voltage	AC voltage (bipolar)	1414	1414	2828	V _{PK}
V _{IOWM}	Maximum operating isolation voltage	AC voltage; time-dependent dielectric breakdown (TDDb) test	1000	1000	2000	V _{RMS}
		DC voltage	1414	1414	2828	V _{DC}
V _{IOTM}	Maximum transient isolation voltage	V _{TEST} = V _{IOTM} , t=60s (certified); V _{TEST} = 1.2 × V _{IOTM} , t=1s (100% product test)	7070	7070	10600	V _{PK}
V _{IMP}	Maximum impulse voltage	1.2/50-μs waveform per IEC 62368-1	6250	9846	9846	V _{PK}
V _{IOSM}	Maximum surge isolation voltage ³	V _{IOSM} ≥ 1.3 × V _{IMP} ; Tested in oil (qualification test), 1.2/50-μs waveform per IEC 62368-1	8125	12800	12800	V _{PK}
q _{pd}	Apparent charge ⁴	Method a, after input/output safety test of the subgroup 2/3, V _{ini} = V _{IOTM} , t _{ini} = 60s; V _{pd(m)} = 1.2 × V _{IORM} , t _m = 10s	≤5	≤5	≤5	pC
		Method a, after environmental test of the subgroup 1, V _{ini} = V _{IOTM} , t _{ini} = 60s; V _{pd(m)} = 1.6 × V _{IORM} , t _m = 10s (SOIC8-WB and SOIC16-WB) V _{pd(m)} = 1.3 × V _{IORM} , t _m = 10s(DUB8)	≤5	≤5	≤5	
		Method b1, at routine test (100% production test) and preconditioning (type test) V _{ini} = 1.2 × V _{IOTM} , t _{ini} = 1s; V _{pd(m)} = 1.875 × V _{IORM} , t _m = 1s (certificated, SOIC8-WB and SOIC16-WB) V _{pd(m)} = 1.5 × V _{IORM} , t _m = 1s (certificated, DUB8)	≤5	≤5	≤5	
C _{IO}	Barrier capacitance, input to output ⁴	V _{IO} = 0.4 × sin(2πft), f = 1MHz	~0.5	~0.5	~0.5	pF
R _{IO}	Isolation resistance ⁵	V _{IO} = 500V, T _A = 25°C	>10 ¹²	>10 ¹²	>10 ¹²	Ω
		V _{IO} = 500V, 100°C ≤ T _A ≤ 125°C	>10 ¹¹	>10 ¹¹	>10 ¹¹	
		V _{IO} = 500V at T _S = 150°C	>10 ⁹	>10 ⁹	>10 ⁹	
	Pollution degree		2	2	2	

UL 1577						
V_{ISO}	Maximum withstanding isolation voltage	$V_{TEST} = V_{ISO}, t = 60s$ (qualification) $V_{TEST} = 1.2 \times V_{ISO}, t = 1s$ (100% production test)	3750	5000	7500	V_{RMS}
NOTE:						
<ol style="list-style-type: none"> Creepage and clearance requirements should be applied according to the specific equipment isolation standards of an application. Care should be taken to maintain the creepage and clearance distance of a board design to ensure that the mounting pads of the isolator on the printed-circuit board do not reduce this distance. Creepage and clearance on a printed-circuit board become equal in certain cases. Techniques such as inserting grooves and/or ribs on a printed circuit board are used to help increase these specifications. This coupler is suitable for safe electrical insulation only within the safety ratings. Compliance with the safety ratings shall be ensured by means of suitable protective circuits. Testing is carried out in air or oil to determine the intrinsic surge immunity of the isolation barrier. Apparent charge is electrical discharge caused by a partial discharge (pd). All pins on each side of the barrier tied together creating a two-terminal device. 						

7.5 Safety-Related Certifications

VDE	UL	CQC	TUV
Certified according to DIN EN IEC60747-17(VDE 0884-17):2021-10; EN IEC60747-17:2020+AC:2021	Certified according to UL 1577 Component Recognition Program	Certified according to GB4943.1-2011	Certified according to EN 61010-1 and EN 62368-1
Basic Isolation (DUB8): $V_{IORM}: 1414V_{PK}$ $V_{IOTM}: 7070V_{PK}$ $V_{IOSM}: 8125V_{PK}$	Single protection SOIC8-WB: $5000V_{RMS}$ SOIC16-WB: $5000V_{RMS}$ DUB8: $3750V_{RMS}$ SOIC8-WWB (Pending): $7500V_{RMS}$	SOIC8-WB/SOIC16-WB: Reinforced insulation (Altitude ≤ 5000 m) DUB8: Basic insulation (Altitude ≤ 5000 m) SOIC8-WWB (Pending): Reinforced insulation (Altitude ≤ 5000 m)	EN 61010-1 SOIC8-WB: $5000V_{RMS}$ SOIC16-WB: $5000V_{RMS}$ DUB8: $3750V_{RMS}$ SOIC8-WWB (Pending): $7500V_{RMS}$ EN 62368-1 SOIC8-WB: $5000V_{RMS}$ SOIC16-WB: $5000V_{RMS}$ DUB8: $3750V_{RMS}$ SOIC8-WWB (Pending): $7500V_{RMS}$
Reinforced Isolation (SOIC8-WB/ SOIC16-WB): $V_{IORM}: 1414V_{PK}$ $V_{IOTM}: 7070V_{PK}$ $V_{IOSM}: 12800V_{PK}$			
Reinforced Isolation (SOIC8-WWB) (Pending): $V_{IORM}: 2828V_{PK}$ $V_{IOTM}: 10600V_{PK}$ $V_{IOSM}: 12800V_{PK}$			
Certificate number: 40052786 (Basic) 40057278 (Reinforced)	Certification number: E511334	Certification number: SOIC8-WB: CQC24001434134 SOIC16-WB: CQC23001406424 DUB8: CQC24001452683 SOIC8-WWB: pending	Client reference number: 2253313

7.6 Thermal Information

Heat meter	SOIC8-WB	SOIC16-WB	DUB8	SOIC8-WWB	Unit
$R_{\theta JA}$ Junction-to-ambient thermal resistance	110.1	86.5	73.3	85.5	$^{\circ}C/W$
$R_{\theta JC(top)}$ Junction-to-case (top) thermal resistance	51.7	49.6	63.2	10.3	$^{\circ}C/W$
$R_{\theta JB}$ Junction-to-board thermal resistance	66.4	49.7	43.0	58.9	$^{\circ}C/W$

7.7 Electrical Characteristics

 Over recommended operating conditions (unless otherwise noted). All typical values are at 25°C with $V_{CC1} = V_{CC2} = 5V$.

Parameters		Test conditions	MIN	TYP	MAX	Unit	
Power supply voltage							
V_{CC1_UVLO+}	UVLO power up to start up	V_{CC1}	1.95	2.24	2.375	V	
V_{CC1_UVLO-}	UVLO power down to reset	V_{CC1}	1.88	2.10	2.325		
V_{CC2_UVLO+}	UVLO power up to start up	V_{CC2}	3.9	4.2	4.4		
V_{CC2_UVLO-}	UVLO power down to reset	V_{CC2}	3.8	4.0	4.25		
Power supply current							
I_{CC1}	Logic side power supply current	$V_I = V_{CC1}, V_{CC1} = 5V$		1.5	2.8	mA	
		$V_I = 0V, V_{CC1} = 5V$		2.3	3.6		
I_{CC2}	Bus side power supply current	Dominant	$V_I = 0V, R_L = 60\Omega$	44	73	mA	
		Recessive	$V_I = V_{CC1}$	3	12		
Driver							
$V_{O(D)}$	Bus output voltage (dominant)	CANH	$V_I = 0V, R_L = 60\Omega$; see Figure 8-1 and Figure 8-2.	2.75	3.4	4.5	V
		CANL		0.5		2.25	
$V_{O(R)}$	Bus output voltage (recessive)		$V_I = 2V, R_L = 60\Omega$; see Figure 8-1 and Figure 8-2.	2	2.5	3	V
$V_{OD(D)}$	Differential output voltage (dominant)		$V_I = 0V, R_L = 60\Omega$; see Figure 8-1 and Figure 8-2.	1.5		3	V
			$V_I = 0V, R_L = 45\Omega$; see Figure 8-1 and Figure 8-2.	1.4		3	V
$V_{OD(R)}$	Differential output voltage (recessive)		$V_I = 2V, R_L = 60\Omega$; see Figure 8-1 and Figure 8-2.	-12		12	mV
			$V_I = 2V, \text{no-load.}$	-0.5		0.05	V
$V_{OC(D)}$	Common mode output voltage (dominant)		See Figure 8-7	2	2.5	3	V
$V_{OC(PP)}$	Peak to peak common mode output voltage				0.3		
I_{IH}	High-level input current, TXD input		$V_I = 2V$			20	μA
I_{IL}	Low-level input current, TXD input		$V_I = 0.8V$	-20			μA
$I_{OS(SS)}$	Short-circuit steady-state output current		TXD = Low, $V_{CANH} = -30V$, CANL open; see Figure 8-10.	-105	-72		mA
			TXD = High, $V_{CANH} = 30V$, CANL open; see Figure 8-10.		3	5	
			TXD = High, $V_{CANL} = -30V$, CANH open; see Figure 8-10.	-5	-1.5		
			TXD = Low, $V_{CANL} = 30V$, CANH open; see Figure 8-10.		90	105	
$CMTI$	Common Mode Transient Immunity		$V_I = 0V \text{ or } V_{CC1}$; see Figure 8-11.	± 100	± 150		kV/ μs
Receiver							
V_{IT+}	Positive-going bus input threshold voltage		$-20V \leq V_{CM} \leq 20V$			0.9	V
V_{IT-}	Negative-going bus input threshold voltage				0.5		
V_{IT+}	Positive-going bus input threshold voltage		$-30V \leq V_{CM} \leq 30V$			1.0	V
V_{IT-}	Negative-going bus input threshold voltage				0.4		
V_{HYS}	Input threshold hysteresis voltage					120	mV
V_{OH}	High-level output voltage		$V_{CC1} = 5V, I_{OH} = -4mA$; see Figure 8-5.	$V_{CC1} - 0.8$	4.6		V
			$V_{CC1} = 5V, I_{OH} = -20\mu A$; see Figure 8-5.	$V_{CC1} - 0.1$	5		
			$V_{CC1} = 3.3V, I_{OH} = -4mA$; see Figure 8-5.	$V_{CC1} - 0.8$	3.1		V
			$V_{CC1} = 3.3V, I_{OH} = -20\mu A$; see Figure 8-5.	$V_{CC1} - 0.1$	3.3		

V _{OL}	Low-level output voltage	I _{OL} = 4mA; see Figure 8-5.	0.2	0.4	V
		I _{OL} = 20μA; see Figure 8-5.	0	0.1	
C _i	CANH or CANL input capacitance to ground	V _{TXD} = 3V, V _i = 0.4 x sin(2πft) + 2.5V, f = 1MHz	20		pF
C _{ID}	Differential input capacitance	V _{TXD} = 3V, V _i = 0.4 x sin(2πft), f = 1MHz	10		pF
R _{IN}	CANH and CANL input capacitance	V _{TXD} = 3V	15	40	kΩ
R _{ID}	Differential input resistance	V _{TXD} = 3V	30	80	kΩ
R _{i(m)}	Input resistance matching (1 - [R _{IN(CANH)} / R _{IN(CANL)}]) x 100%	V _{CANH} = V _{CANL}	-5%	0%	5%
CMTI	Common mode transient immunity	V _i = 0V or V _{CC1} ; see Figure 8-11.	±100	±150	kV/μs

7.8 Switching Characteristics

Over recommended operating conditions (unless otherwise noted). All typical values are at 25°C with V_{CC1} = V_{CC2} = 5V.

Parameters		Test conditions	MIN	TYP	MAX	Unit
Device						
t _{loop1}	Total loop delay, driver input (TXD) to receiver output (RXD), recessive to dominant	See Figure 8-8.	110		210	ns
t _{loop2}	Total loop delay, driver input (TXD) to receiver output (RXD), dominant to recessive		110		210	ns
Driver						
t _{PLH}	TXD propagation delay (recessive to dominant)	See Figure 8-4.		50		ns
t _{PHL}	TXD propagation delay (dominant to recessive)			65		
t _r	Differential driver output rise time			55		
t _f	Differential driver output fall time			60		
t _{TXD_DTO} ¹	TXD dominant timeout	C _L = 100pF; see Figure 8-9.	2	5	8	ms
Receiver						
t _{PLH}	RXD propagation delay (recessive to dominant)	see Figure 8-6.		105		ns
t _{PHL}	RXD Propagation delay (dominant to recessive)			75		
t _r	RXD Output signal rise time			5		
t _f	RXD Output signal fall time			5		

Note:

- The TXD dominant timeout (t_{TXD_DTO}) disables the driver of the transceiver once the TXD has been dominant longer than (t_{TXD_DTO}) which releases the bus lines to recessive preventing a local failure from locking the bus dominant.

8 Parameter Measurement Information

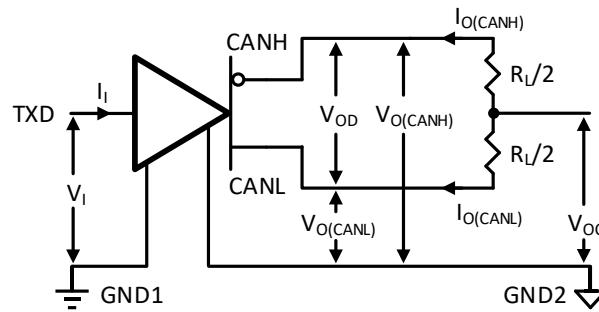


Figure. 8-1 Driver Voltage and Current Definition

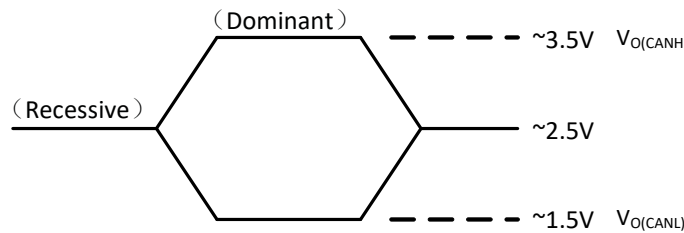


Figure. 8-2 Bus Logic State Voltage Definition

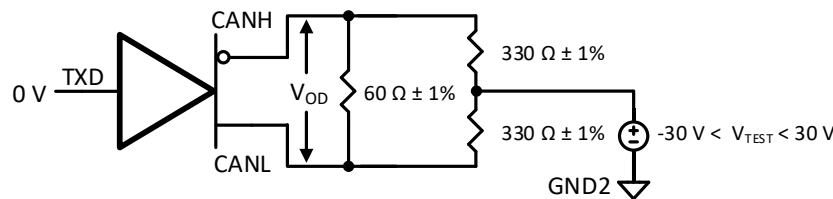
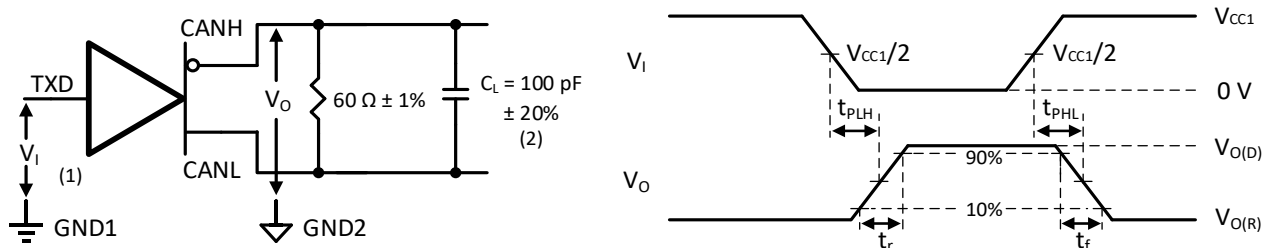


Figure. 8-3 Driver V_{OD} with Common Mode Loading Test Circuit



Notes:

1. The input pulse is supplied by a generator with characteristics: PRR \leq 125kHz, 50% duty cycle; rise time $t_r \leq$ 6ns, fall time $t_f \leq$ 6ns; $Z_o = 50\Omega$.
2. Load capacitance C_L includes external circuit (instrumentation and fixture etc.) capacitance.

Figure. 8-4 Driver Test Circuit and Timing Diagram

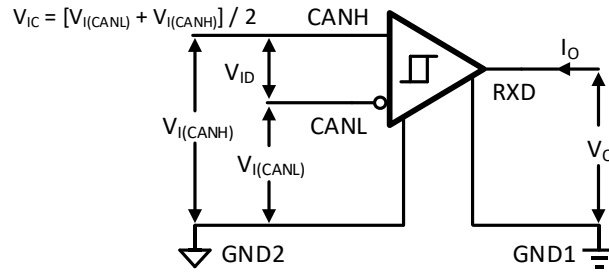
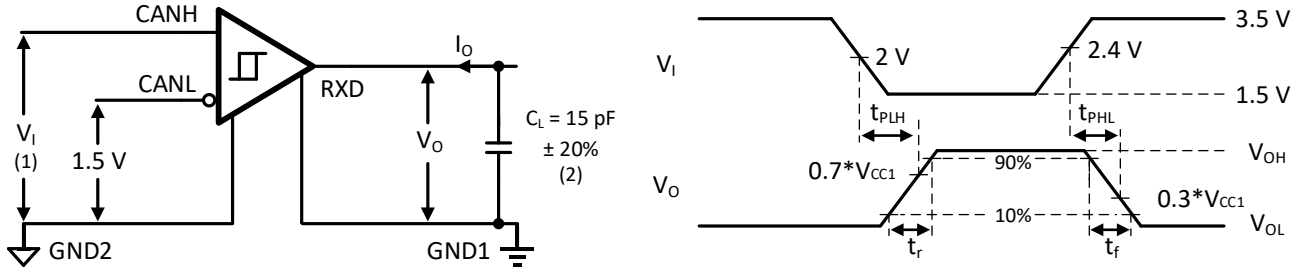


Figure. 8-5 Receiver Voltage and Current Definition



Notes:

1. The input pulse is supplied by a generator with characteristics: PRR \leq 125kHz, 50% duty cycle; rise time $t_r \leq$ 6ns, fall time $t_f \leq$ 6ns; $Z_o = 50\Omega$.
2. Load capacitance C_L includes external circuit (instrumentation and fixture etc.) capacitance.

Figure. 8-6 Receiver Test Circuit and Timing Diagram

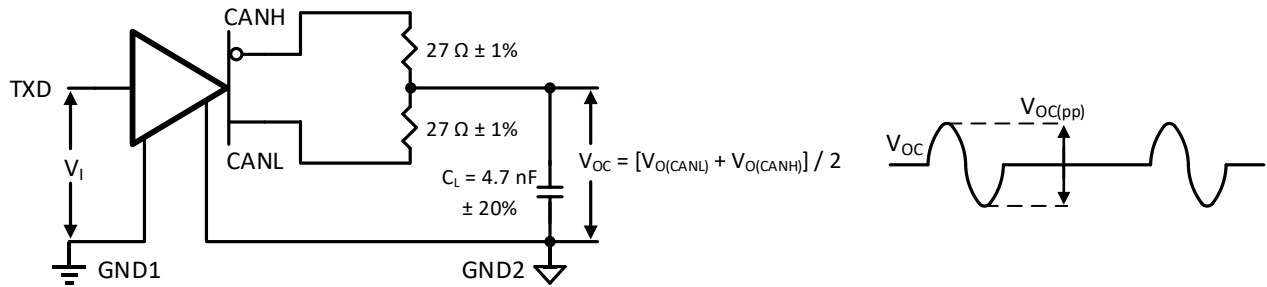


Figure. 8-7 Peak-to-Peak Output Voltage Test Circuit and Waveform

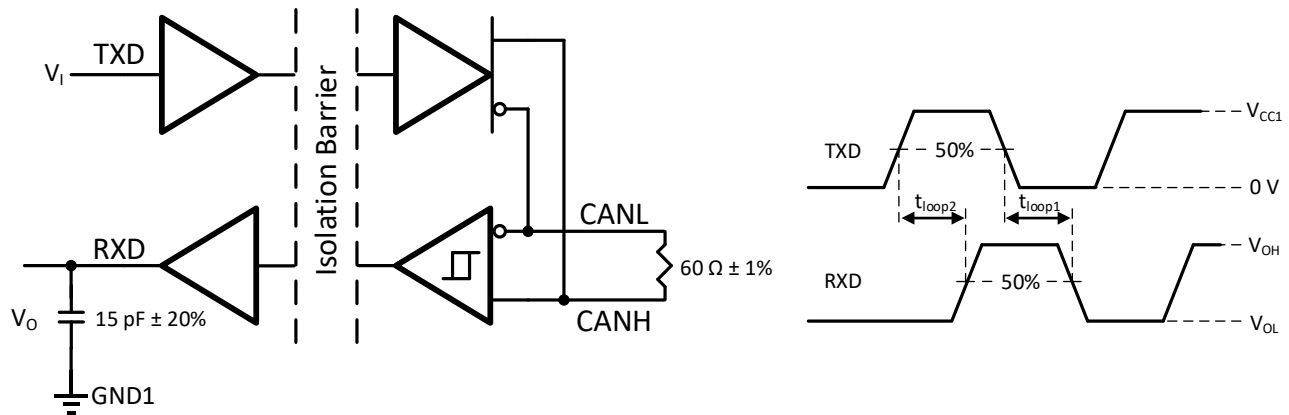
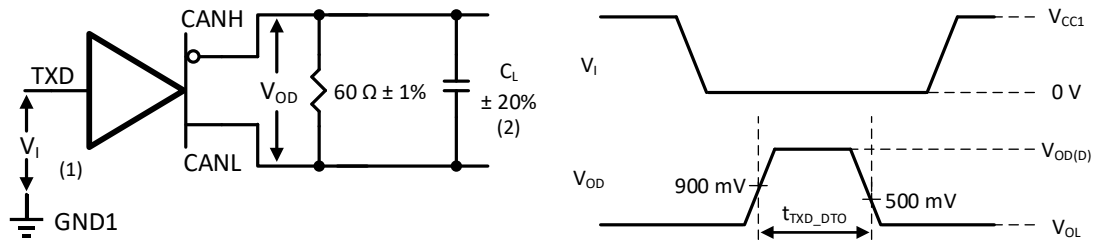


Figure. 8-8 TXD to RXD Loop Delay



Notes:

1. The input pulse is supplied by a generator with characteristics: PRR \leq 125kHz, 50% duty cycle; rise time $t_r \leq$ 6ns, fall time $t_f \leq$ 6ns; $Z_0 = 50\Omega$.
2. Load capacitance C_L includes external circuit (instrumentation and fixture etc.) capacitance.

Figure. 8-9 Transmitting Dominant Timeout Timing Diagram

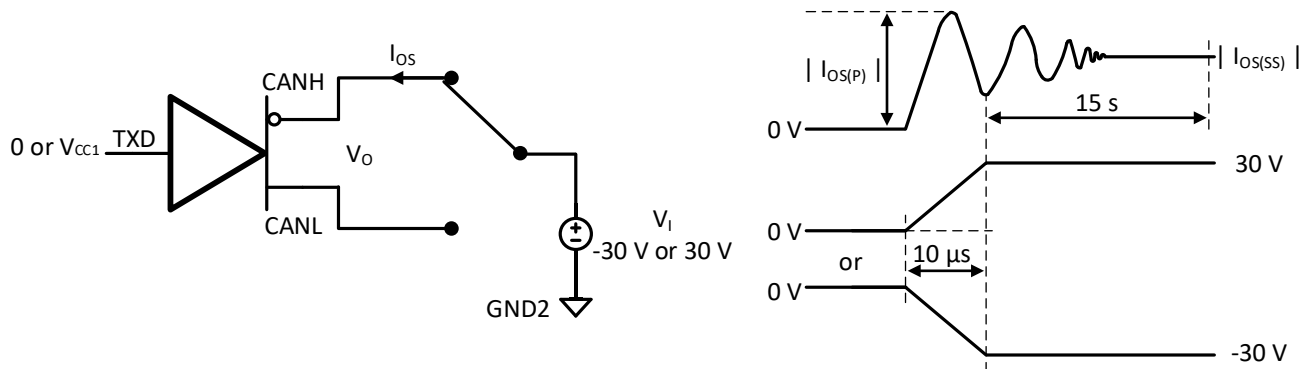


Figure. 8-10 Driver Short Circuit Current Test Circuit and Measurement

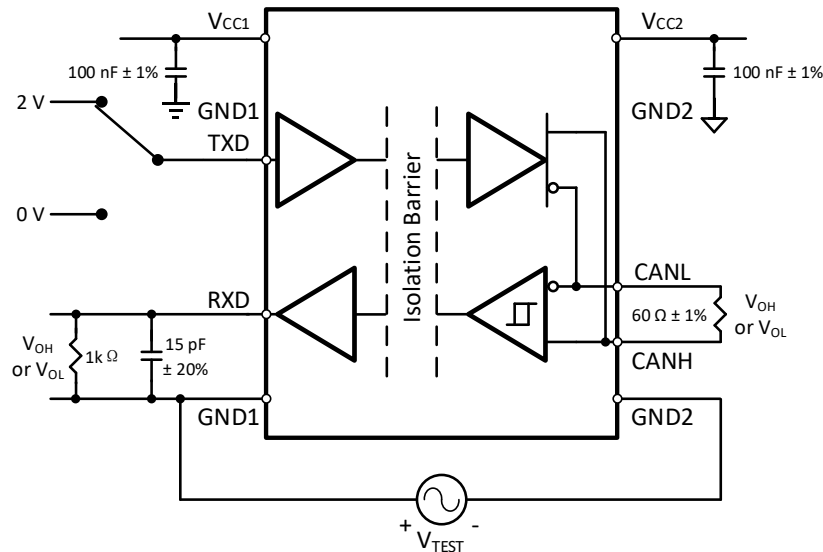


Figure. 8-11 Common-Mode Transient Immunity Test Circuit

9 Detailed Description

9.1 Overview

The CA-IS305x isolated controller area network (CAN) transceivers provide up to 3.75kV_{RMS} (DUB8), 5kV_{RMS} (SOIC8-WB/SOIC16-WB) and 7.5kV_{RMS} (SOIC8-WWB) of galvanic isolation between the cable side (bus side) of the transceiver and the controller side (logic side). These devices feature up to ±150-kV/μs common mode transient immunity, allowing up to 1-Mbps communication data rare across an isolation barrier. Robust isolation coupled with high standoff voltage and increased speeds enables efficient communication in noisy environments, making them ideal for communication with the microcontroller in a wide range of applications such as solar inverters, circuit breakers, motor drives, PLC communication modules, telecom rectifiers, elevators, HVACs and EV charging infrastructures. Interfacing with CAN protocol controllers is simplified by the 2.5V to 5.5V wide supply voltage range (V_{CC1}) on the controller side of the device. This supply voltage sets the interface logic levels between the transceiver and controller. The supply voltage range for the CAN bus side of the device is 4.5V to 5.5V (V_{CC2}). The receiver input common-mode range is ±30V, exceeding the ISO 11898 specification of -2V to +7V, and the fault tolerant is up to ±58V. Dominant timeout prevents the bus from being blocked by a hung-up microcontroller, and the outputs CANH and CANL are short-circuit current-limited, protected against excessive power dissipation by thermal shutdown circuitry that places the driver outputs in a high-impedance state.

9.2 CAN Bus Status

The CAN bus has two states: dominant and recessive. In the dominant state (a zero bit, used to determine message priority), CANH - CANL are defined to be logic '0' when the voltage across them is between +1.5V and +3V (higher than 1V). In the recessive state (a 1-bit and the state of the idle bus), the driver is defined to be logic '1' when differential voltage is between -120mV and +12mV, or when it is near zero (lower than 0.4V). CAN bus status is shown in *Figure 8-2*.

9.3 Receiver

The receiver reads the differential input from the bus line (CANH and CANL) and transfers this data as a single-ended output RXD to the CAN controller. The internal comparator senses the difference voltage $V_{DIFF} = (V_{CANH} - V_{CANL})$, with respect to an internal threshold of 0.7V. If $V_{ID} \geq V_{IT+}$, a logic-low is present on RXD; if $V_{ID} \leq V_{IT-}$, a logic-high is present. The input common-mode range is ±30V. RXD is a logical high when CANH and CANL are shorted or terminated or un-driven. Truth table is shown in *Table 9-1*.

Table 9-1 Receiver Truth Table

$V_{ID} = V_{CANH} - V_{CANL}$		BUS STATE	RXD
$V_{CM} = -20V$ to $+20V$	$V_{CM} = -30V$ to $+30V$		
$V_{ID} \geq 0.9V$	$V_{ID} \geq 1V$	Dominant	Low
$0.5V < V_{ID} < 0.9V$	$0.4V < V_{ID} < 1V$	Indeterminate	Indeterminate
$V_{ID} \leq 0.5V$	$V_{ID} \leq 0.4V$	Recessive	High
Open ($V_{ID} \approx 0V$)		Open	High

9.4 Driver

Table 9-2 Driver Truth Table¹

V_{CC1}	V_{CC2}	INPUT	TXD LOW-LEVEL	OUTPUT		BUS STATE
		TXD ²	KEEP TIME	CANH	CANL	
Power up	Power up	Low	$< t_{TXD_DTO}$	High	Low	Dominant
		Low	$> t_{TXD_DTO}$	$V_{CC2}/2$	$V_{CC2}/2$	Recessive
		High or Open	X	$V_{CC2}/2$	$V_{CC2}/2$	Recessive
Power up	Power down	X	X	Hi-Z	Hi-Z	Hi-Z
Power down	Power up	X	X	$V_{CC2}/2$	$V_{CC2}/2$	Recessive

Note:

- X = Don't care; Hi-Z = high impedance.
- The input of TXD is weakly pulled-up internally.

The driver converts a single-ended input signal (TXD) from the local CAN controller to differential outputs for the bus lines CANH and CANL. The truth table for the driver is shown in *Table 9-2*.

CANH and CANL outputs are short-circuit current limited and are protected against excessive power dissipation by thermal shutdown circuitry that sets the driver outputs in a high-impedance state.

9.5 Protection Functions

9.5.1 Signal Isolation and Protection

The CA-IS305x devices integrated digital galvanic isolators using Chipanalog's capacitive isolation technology based on the ON-OFF keying (OOK) modulation scheme, allowing data transmission between the controller side and cable side of the transceiver with different power domains. The driver outputs/receiver inputs are also protected from $\pm 20\text{kV}$ electrostatic discharge (ESD) to GND2 on the bus side, as specified by the Human Body Model (HBM).

9.5.2 Thermal Shutdown Protection

If the junction temperature of the CA-IS305x device exceeds the thermal shutdown threshold $T_{J(\text{shutdown})}$ (190°C , typ.), the device turns off the CAN driver circuits thus blocking the TXD-to-bus transmission path. The CAN bus terminals are biased to the recessive level during a thermal shutdown, and the receiver-to-RXD path remains operational. The shutdown condition is cleared when the junction temperature drops to normal operation temperature range of the device.

9.5.3 Current Limiting Protection

The CA-IS305x protect the driver output stage against a short-circuit to a positive or negative voltage by limiting the driver current. However, this will cause large supply current and dissipation. Thermal shutdown further protects the devices from excessive temperatures that may result from a short circuit. The driver returns to normal operation once the short is removed.

9.5.4 Driver Dominant Timeout

The CA-IS305x devices feature a driver dominant timeout ($t_{\text{TXD_DTC}}$) that prevents erroneous CAN controllers from clamping the bus to a dominant level by maintaining a continuous low TXD signal. When TXD remains in the dominant state (low) for greater than $t_{\text{TXD_DTC}}$, the driver is disabled, releasing the bus to a recessive state. After a dominant timeout fault, the driver is re-enabled when receiving a rising edge at TXD. The CAN protocol allows a maximum of eleven successive dominant bits (on TXD) for the worst case, where five successive dominant bits are followed immediately by an error frame. So the minimum transmitted data rate can be calculated as: $11\text{bits} / t_{\text{TXD_DTC}} = 11\text{bits} / 2\text{ms} = 5.5\text{kbps}$. The driver dominant timeout limits the minimum possible data rate of the CA-IS305x to 5.5kbps.

10 Application Information

The CAN bus has been a very popular serial communication standard in the industry due to its excellent prioritization and arbitration capabilities. In systems with different voltage domains, isolation is typically used to protect the low voltage side from the high voltage side in case of any faults. The CA-IS305x family of devices are ideal for these kinds of applications. The typical application circuit is shown in *Figure 10-1*.

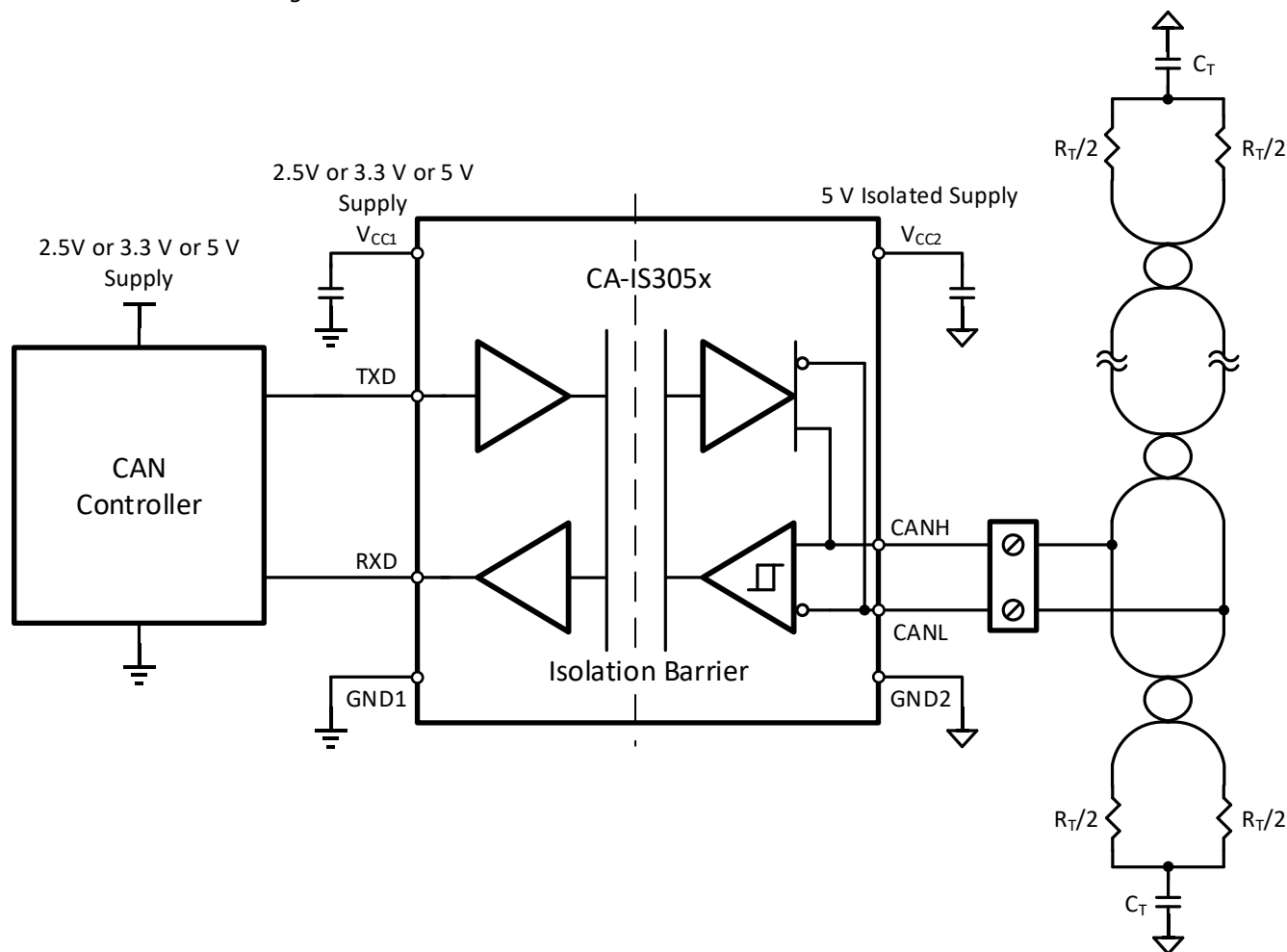


Figure. 10-1 Typical Application Circuit

These devices can operate up to 1Mbps data rate. However, the maximum data rate is limited by the bus loading, number of nodes, cable length etc. factors. For CAN network design, margin must be given for signal loss across the system and cabling, parasitic loadings, timing, network imbalances, ground offsets and signal integrity thus a practical maximum data rate, number of nodes often lower. The ISO11898 Standard specifies a maximum of 30 nodes. However, with careful design, and consider of high input impedance of the CA-IS305x, designers can have many more nodes on the CAN bus. The differential input resistance of the CA-IS305x is a minimum of 30kΩ. If 110 CA-IS305x transceivers are in parallel on a bus, this is equivalent to a 273Ω differential load. That transceiver load of 273Ω in parallel with the 60Ω (the two 120Ω termination resistors in parallel) gives a total 49Ω load on the bus. The driver differential output of CA-IS305x devices is specified to provide at least 1.5V with a 60Ω load, and additionally specified with a differential output of 1.4V with a 45Ω load. Therefore, the CA-IS305x theoretically can support up to 110 transceivers on a common bus with design margin.

In multidrop CAN applications, it is important to maintain a single linear bus of uniform impedance that is properly terminated at each end. A star, ring, or tree configuration should never be used. Any deviation from the end-to-end wiring scheme creates a stub. High-speed data edges on a stub can create reflections back down to the bus. These reflections can cause data errors by eroding the noise margin of the system. Although stubs are unavoidable in a multidrop system, care should be taken to keep these stubs as short as possible, especially when operating with high data rates. The typical CAN bus operating circuit is shown in *Figure 10-2*. Termination may be a single 120Ω resistor at each end of the bus; or split termination, the two 60Ω termination resistors in parallel may be used if filtering and stabilization of the common mode voltage of the bus is desired.

It is recommended to design an isolation channel underneath the isolator that is free from ground and signal planes. Any galvanic or metallic connection between the bus side and logic side would lower down the isolation rating. To make sure device operation is reliable at all data rates, at least a 0.1μF low-ESR decoupling capacitor between V_{CC1} and GND1 and between V_{CC2} and GND2 respectively is recommended. The capacitors should be located as close as possible to the device to minimize inductance and keep the value enough at the operating temperature range.

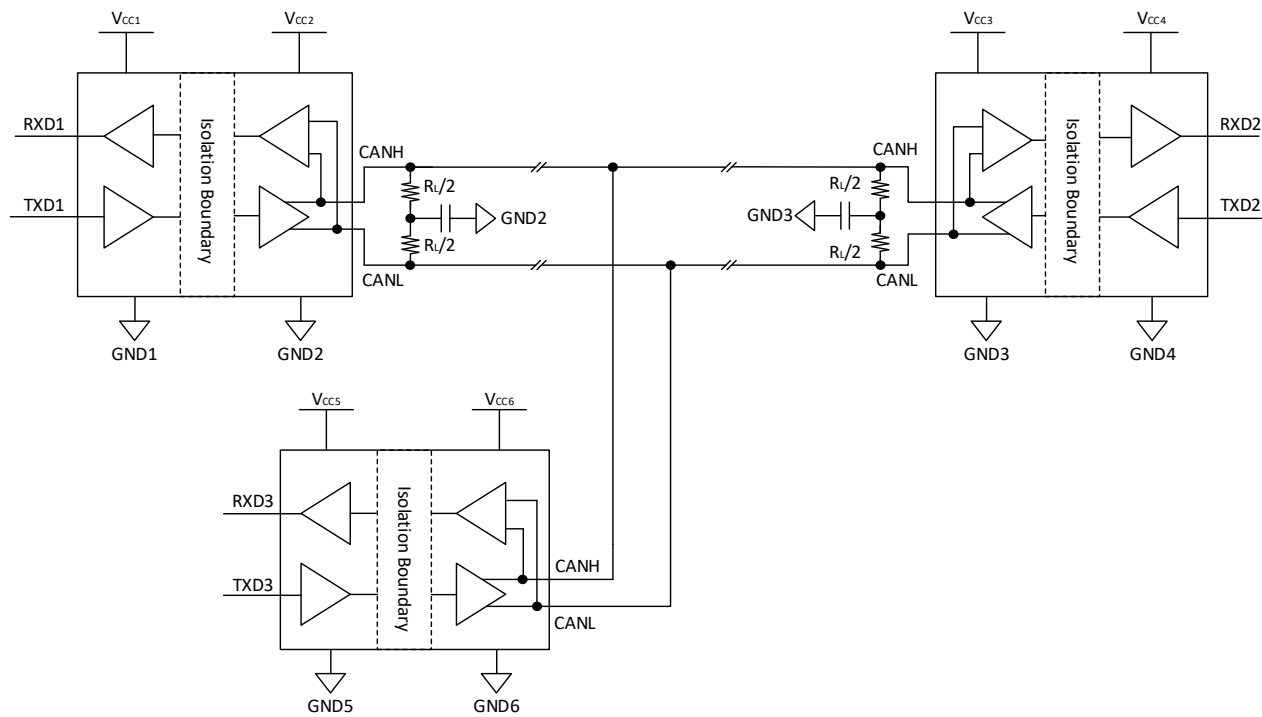
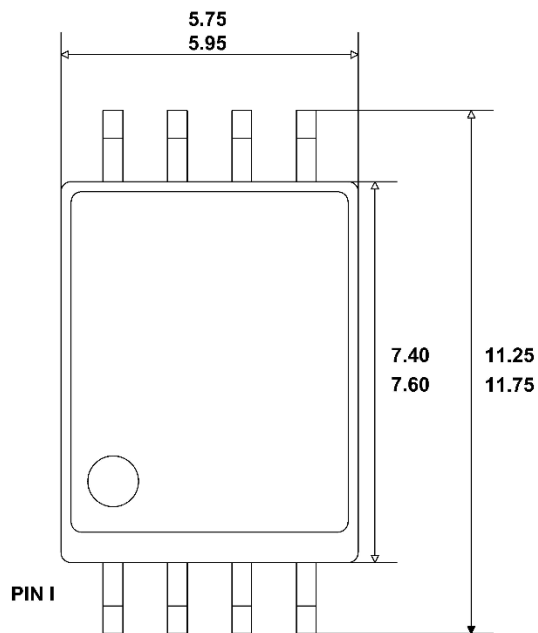


Figure. 10-2 Typical CAN Bus Operating Circuit

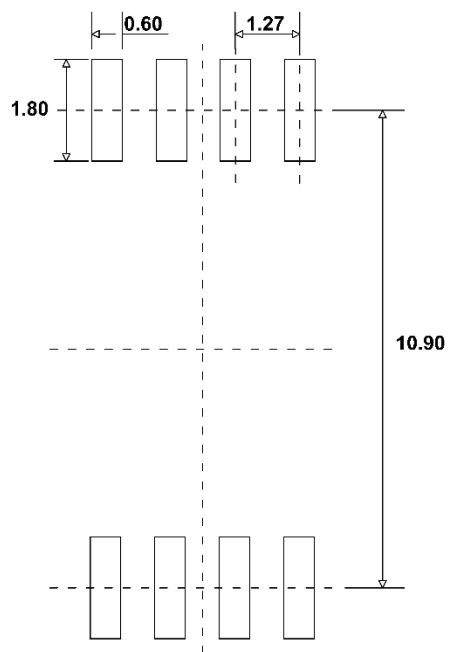
11 Package Information

11.1 SOIC8-WB Package

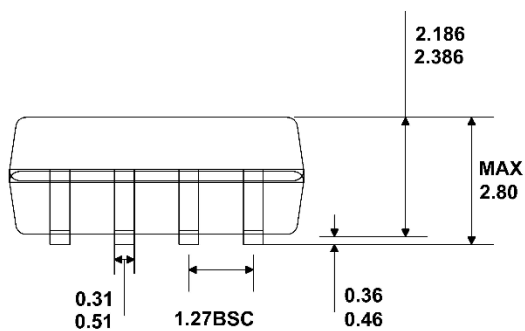
The values for the dimensions are shown in millimeters.



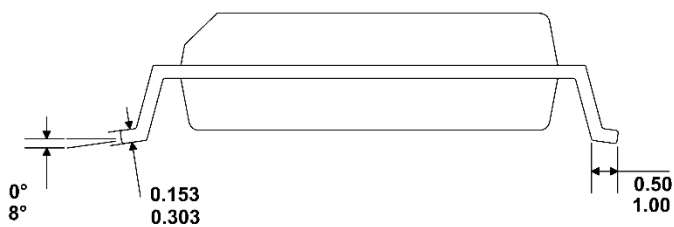
TOP VIEW



RECOMMENDED LAND PATTERN



FRONT VIEW



LEFT-SIDE VIEW

Figure. 11-1 POD of SOIC8-WB (G)

11.2 SOIC16-WB Package

The values for the dimensions are shown in millimeters.

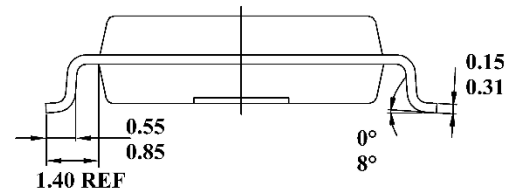
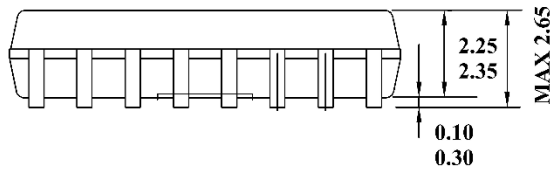
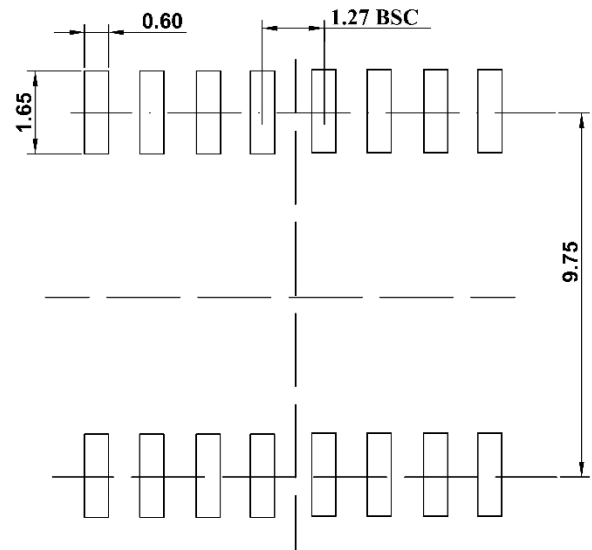
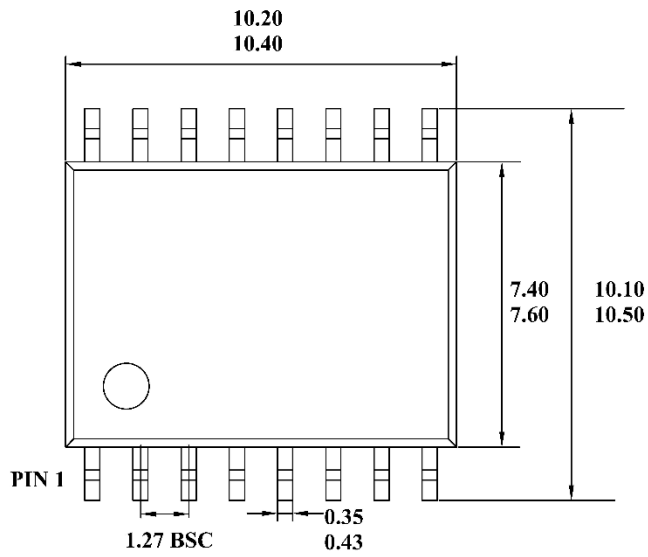
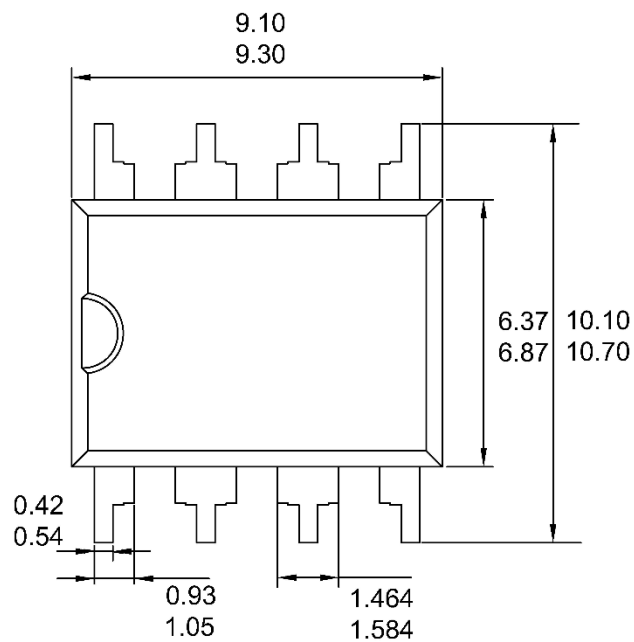


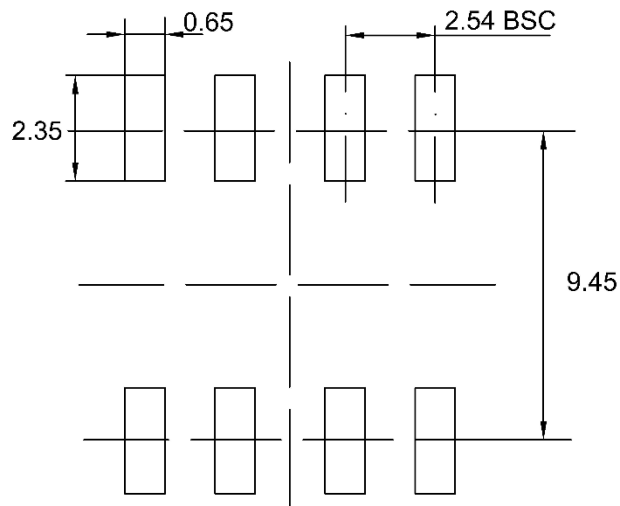
Figure. 11-2 POD of SOIC16-WB (W)

11.3 DUB8 Package

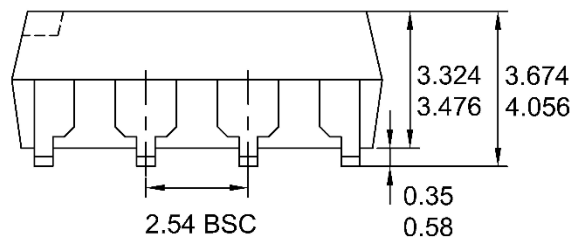
The values for the dimensions are shown in millimeters.



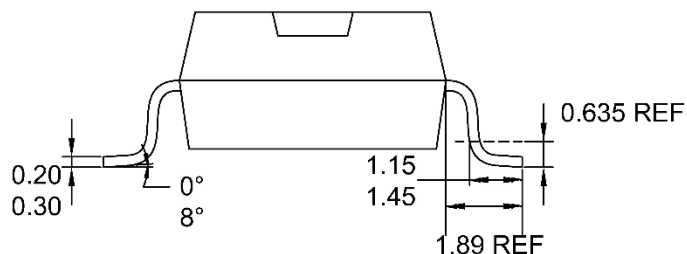
TOP VIEW



RECOMMENDED LAND PATTERN



FRONT VIEW

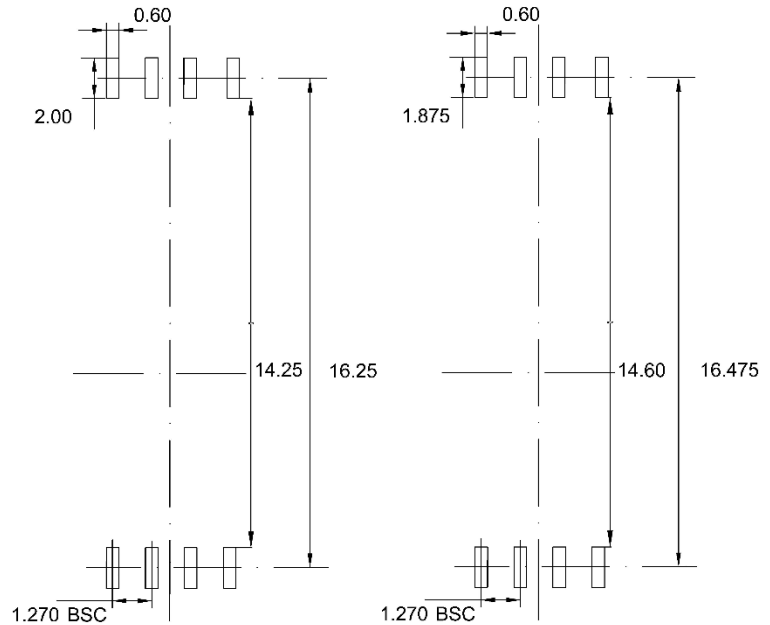
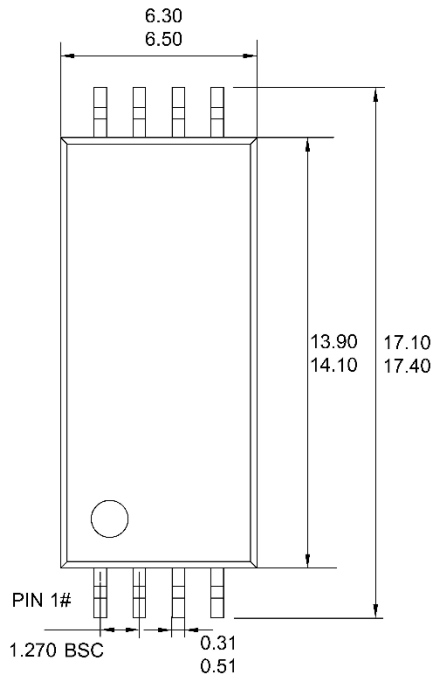


LEFT-SIDE VIEW

Figure. 11-3 POD of DUB8 (U)

11.4 SOIC8-WWB Package

The values for the dimensions are shown in millimeters.

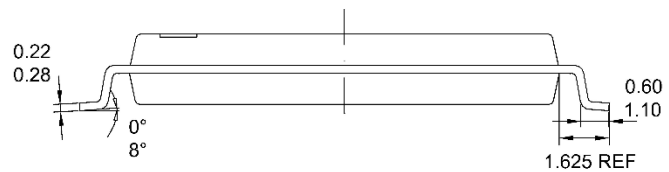
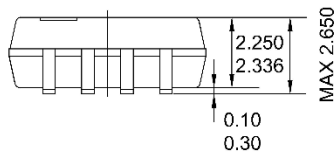


STANDARD

PCB CLEARANCE & CREEPAGE OPTIMIZED

TOP VIEW

RECOMMENDED LAND PATTERN



FRONT VIEW

SIDE VIEW

Figure. 11-4 POD of SOIC8-WWB (WG)

12 Soldering Information

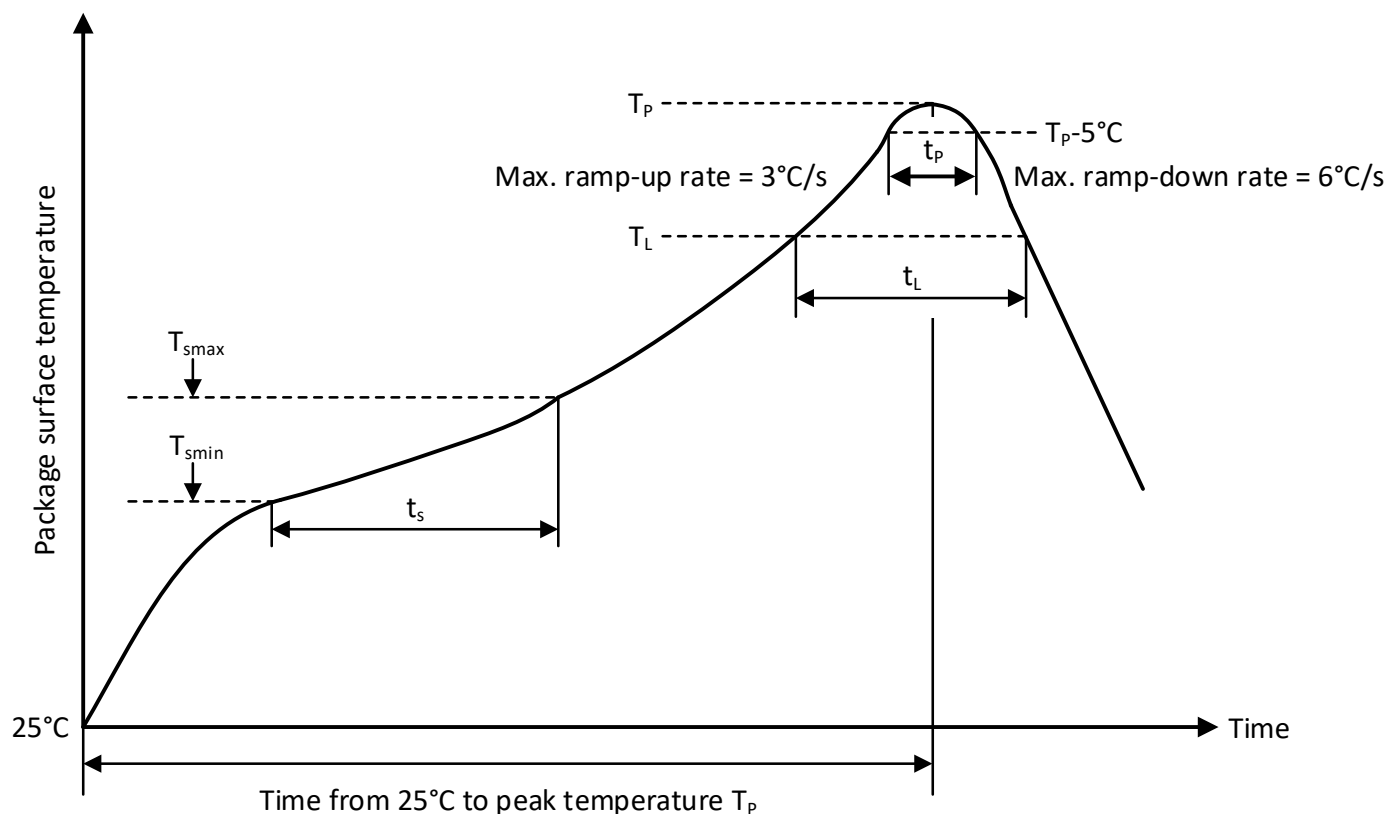
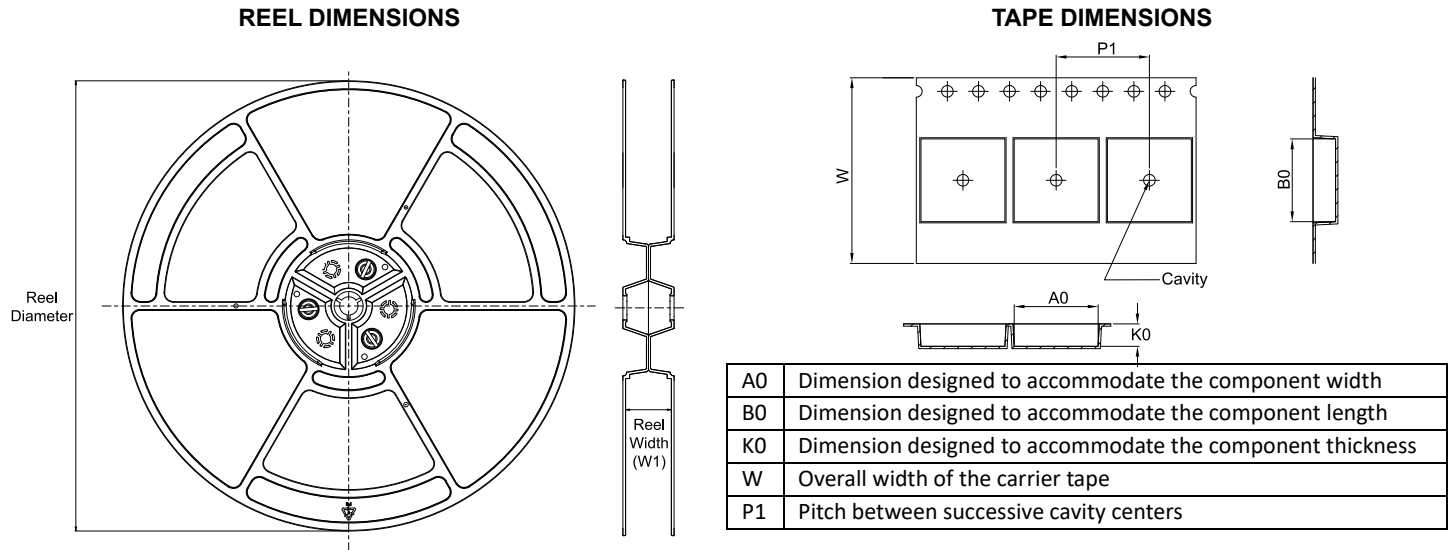


Figure. 12-1 Soldering Temperature (reflow) Profile

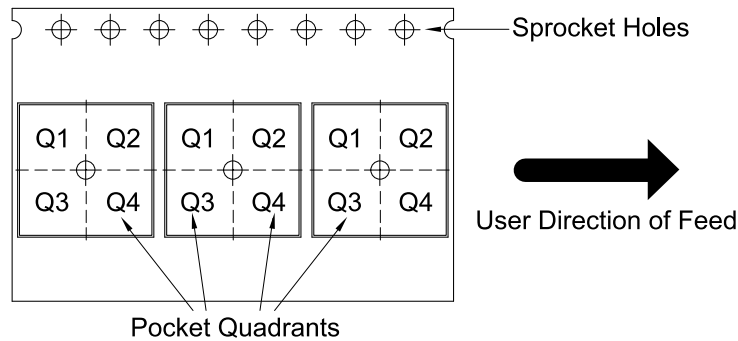
Table. 12-1 Soldering Temperature Parameter

Profile Feature	Pb-Free Soldering
Ramp-up rate ($T_L = 217^\circ\text{C}$ to peak T_p)	3°C/s max
Time t_s of preheat temp ($T_{smin} = 150^\circ\text{C}$ to $T_{smax} = 200^\circ\text{C}$)	60~120 seconds
Time t_L to be maintained above 217°C	60~150 seconds
Peak temperature T_p	260°C
Time t_p within 5°C of actual peak temp	30 seconds max
Ramp-down rate (peak T_p to $T_L = 217^\circ\text{C}$)	6°C/s max
Time from 25°C to peak temperature T_p	8 minutes max

13 Tape and Reel Information



QUADRANT ASSIGNMENTS FOR PIN 1 ORIENTATION IN TAPE



*All dimensions are nominal

Device	Package Type	Package Drawing	Pins	SPQ	Reel Diameter (mm)	Reel Width W1 (mm)	A0 (mm)	B0 (mm)	K0 (mm)	P1 (mm)	W (mm)	Pin1 Quadrant
CA-IS3050W	SOIC	W	16	1000	330	16.4	10.90	10.70	3.20	12.00	16.00	Q1
CA-IS3050G	SOIC	G	8	1000	330	16.4	11.95	6.15	3.20	16.00	16.00	Q1
CA-IS3052W	SOIC	W	16	1000	330	16.4	10.90	10.70	3.20	12.00	16.00	Q1
CA-IS3052G	SOIC	G	8	1000	330	16.4	11.95	6.15	3.20	16.00	16.00	Q1
CA-IS3050U	DUB	U	8	800	330	24.4	10.90	9.60	4.30	16.00	24.00	Q1
CA-IS3050WG	SOIC	WG	8	500	330	16.4	17.70	6.80	2.80	24.00	16.00	Q1

14 Important Statement

The above information is for reference only and intended to help Chipanalog customers with design, research and development. Chipanalog reserves the rights to change the above information due to technological innovation without advance notice.

All Chipanalog products pass ex-factory test. As for specific practical applications, customers need to be responsible for evaluating and determining whether the products are applicable or not by themselves. Chipanalog's authorization for customers to use the resources are only limited to development of the related applications of the Chipanalog products. In addition to this, the resources cannot be copied or shown, and Chipanalog is not responsible for any claims, compensations, costs, losses, liabilities and the like arising from the use of the resources.

Trademark information

Chipanalog Inc.® and Chipanalog® are registered trademarks of Chipanalog.



<http://www.chipanalog.com>