

CA-IS386x High-Speed Six-Channel Digital Isolators

1. Features

- **Robust Galvanic Isolation of Digital Signals**
 - High lifetime: >40 years
 - Up to 5700 V_{RMS} isolation rating (wide body packages)
 - ±150 kV/μs typical CMTI
 - Wide operating temperature range: -40°C to 125°C
 - Schmitt trigger inputs
- **Interfaces Directly with Most MCUs and FPGAs**
 - Data rate: DC to 150Mbps
 - Accepts 2.5V to 5.5V supplies
 - Default output *High* (CA-IS386xH) and *Low* (CA-IS386xL) Options
- **Low Power Consumption**
 - 1.5mA per channel at 1Mbps with VDD = 5.0V
 - 6.6mA per channel at 100Mbps with VDD = 5.0V
- **Best in class propagation delay and skew**
 - 12ns typical propagation delay
 - 1ns pulse width distortion
 - 2ns propagation delay skew (chip -to-chip)
 - 5ns minimum pulse width
- Isolation Rating up to 5.7kVrms
- ESD: ±8kV HBM
- **Package Options**
 - Wide-body SOIC16-WB(W) package
- **Safety Regulatory Approvals**
 - VDE 0884-11 isolation certification
 - UL According to UL1577
 - TUV, EN 61010-1:2010+A1 certifications

2. Applications

- Solar Inverter
- Wind-Generated Electricity
- High Voltage Power Storage
- High Voltage Grid System
- EV Charging Station
- Medical Electronics

3. General Description

The CA-IS386x devices are high-performance six-channel, unidirectional digital isolators with up to 5.7kV_{RMS} (wide-body package) isolation rating and ultra-fast data rate. The CA-IS386x devices offer high electromagnetic immunity and low emissions at low power consumption while isolating different ground domains and block high-voltage/high-current transients from sensitive or human interface circuitry. Each isolation channel has a logic input and output buffer separated by capacitive silicon dioxide (SiO₂) insulation barrier, the integrated Schmitt trigger on each input provide excellent noise immunity.

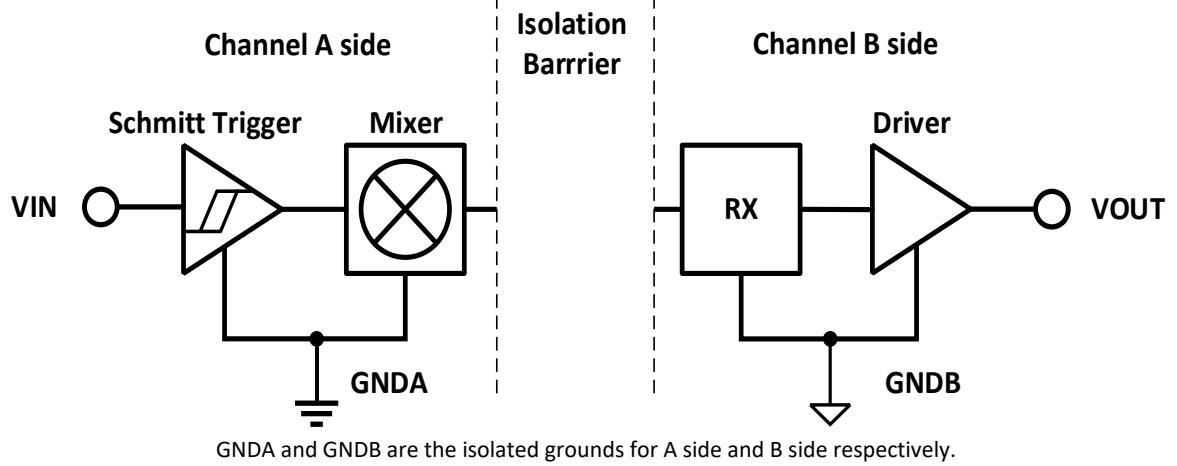
The CA-IS386x family offers all possible unidirectional channel configurations to accommodate any 6-channel design digital I/O applications, especial for the multiple SPI devices isolation. The CA-IS3860 features six channels transferring digital signals in one direction; The CA-IS3861 device has five forward and one reverse-direction channels; The CA-IS3862 device offers four forward and two reverse-direction channels isolation; The CA-IS3863 provides further design flexibility with three channels in each direction. All devices of this family features default outputs. When the input is either not powered or is open-circuit, the default output is low for devices with suffix L and high for devices with suffix H, see the *Ordering Information* for suffixes associated with each option.

The CA-IS386x series devices are specified over the -40°C to +125°C operating temperature range and are available in 16-pin SOIC wide body package.

Device information

Part number	Package	Package size (NOM)
CA-IS3860	SOIC16-WB(W)	10.30 mm × 7.50 mm
CA-IS3861		
CA-IS3862		
CA-IS3863		

Simplified Channel Structure



4. Ordering Information

Table 4-1. Ordering Information

Part Number	Number of Inputs A Side	Number of Inputs B Side	Default Output	Isolation Rating (kV_{RMS})	Output Enable	Package
CA-IS3860LW	6	0	Low	5.7	No	SOIC16-WB
CA-IS3860HW	6	0	High	5.7	No	SOIC16-WB
CA-IS3861LW	5	1	Low	5.7	No	SOIC16-WB
CA-IS3861HW	5	1	High	5.7	No	SOIC16-WB
CA-IS3862LW	4	2	Low	5.7	No	SOIC16-WB
CA-IS3862HW	4	2	High	5.7	No	SOIC16-WB
CA-IS3863LW	3	3	Low	5.7	No	SOIC16-WB
CA-IS3863HW	3	3	High	5.7	No	SOIC16-WB

Contents

1. Features	1	7.8. Electrical Characteristics	9
2. Applications	1	7.9. Supply Current Characteristics.....	10
3. General Description	1	7.10. Timing Characteristics.....	13
4. Ordering Information	2	8. Parameter Measurement Information	14
5. Revision History	3	9. Detailed Description	16
6. Pin Configuration and Description	4	9.1. Overview	16
7. Specifications	5	9.2. Functional Block Diagram	16
7.1. Absolute Maximum Ratings ¹	5	9.3. Device Operation Modes	17
7.2. ESD Ratings.....	5	10. Application and Implementation	17
7.3. Recommended Operating Conditions	5	11. Package Information	19
7.4. Thermal Information	5	11.1. 16-Pin Wide Body SOIC Package Outline	19
7.5. Power Rating	6	12. Soldering Temperature (reflow) Profile	20
7.6. Insulation Specifications.....	7	13. Tape and Reel Information	21
7.7. Safety-Related Certifications	8	14. Important statement	22

5. Revision History

Revision Number	Description	Page Changed
Version 1.00	N/A	N/A
Version 1.01	Updated UL certification information	8
Version 1.02	Updated UL, TUV certification information	8
Version 1.03	Updated VDE certification information	8
Version 1.04	Updated insulation specifications	7

6. Pin Configuration and Description

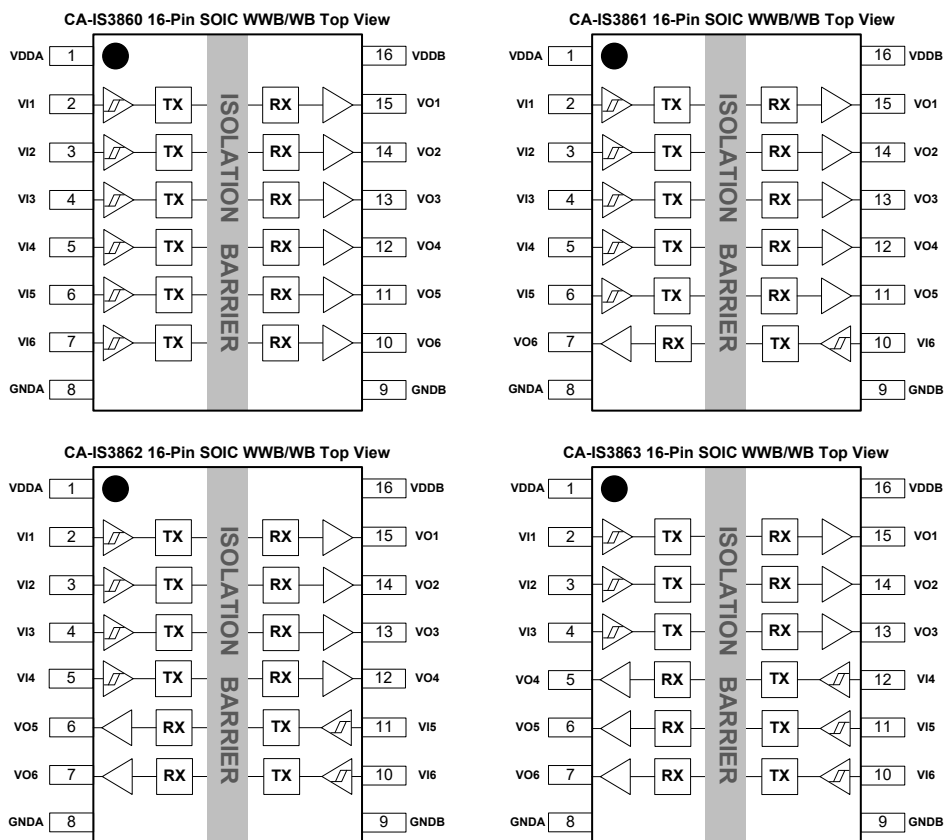


Figure 6-1. CA-IS386x pin configuration

Table 6-1. CA-IS386x pin description

16-SOIC Pin#				Name	Type	Description
CA-IS3860	CA-IS3861	CA-IS3862	CA-IS3863			
1	1	1	1	VDDA	Supply	Power supply for side A.
2	2	2	2	VI1	Digital I/O	Digital input 1 on side A, corresponds to logic output 1 on side B.
3	3	3	3	VI2	Digital I/O	Digital input 2 on side A, corresponds to logic output 2 on side B.
4	4	4	4	VI3	Digital I/O	Digital input 3 on side A, corresponds to logic output 3 on side B.
5	5	5	12	VI4	Digital I/O	Digital input 4 on side A/B, corresponds to logic output 4 on side B/A.
6	6	11	11	VI5	Digital I/O	Digital input 5 on side A/B, corresponds to logic output 5 on side B/A.
7	10	10	10	VI6	Digital I/O	Digital input 6 on side A/B, corresponds to logic output 6 on side B/A.
8	8	8	8	GNDA	Ground	Ground reference for side A.
9	9	9	9	GNDB	Ground	Ground reference for side B.
10	7	7	7	VO6	Digital I/O	Digital output 6 on side B/A, VO6 is the logic output for the VI6 input on side A/B.
11	11	6	6	VO5	Digital I/O	Digital output 5 on side B/A, VO5 is the logic output for the VI5 input on side A/B.
12	12	12	5	VO4	Digital I/O	Digital output 4 on side B/A, VO4 is the logic output for the VI4 input on side A/B.
13	13	13	13	VO3	Digital I/O	Digital output 3 on side B, VO3 is the logic output for the VI3 input on side A.
14	14	14	14	VO2	Digital I/O	Digital output 2 on side B, VO2 is the logic output for the VI2 input on side A.
15	15	15	15	VO1	Digital I/O	Digital output 1 on side B, VO1 is the logic output for the VI1 input on side A.
16	16	16	16	VDDB	Supply	Power supply for side B.

7. Specifications

7.1. Absolute Maximum Ratings¹

Parameters		Minimum value	Maximum value	Unit
V _{DDA} , V _{DDB}	Power supply voltage ²	-0.5	7.0	V
V _{IN}	Voltage at V _{Ix} , V _{Ox} , EN _x	-0.5	V _{DD} + 0.5 ³	V
I _O	Output current	-20	20	mA
T _J	Junction temperature		150	°C
T _{STG}	Storage temperature range	-65	150	°C

Notes:

- The stresses listed under “Absolute Maximum Ratings” are stress ratings only, not for functional operation condition. Exposure to absolute maximum rating conditions for extended periods may cause permanent damage to the device.
- All voltage values except differential I/O bus voltages are with respect to the local ground terminal (GNDA or GNDB) and are peak voltage values.
- Maximum voltage must not be exceed 7 V.

7.2. ESD Ratings

		Numerical value	Unit
V _{ESD} Electrostatic discharge	Human body model (HBM), per ANSI/ESDA/JEDEC JS-001, to the Pins on the same side ¹	±8000	V
	Charged device model (CDM), per JEDEC Specification JESD22-C101, all pins ²	±2000	V

Notes:

- Per JEDEC document JEP155, 500V HBM allows safe manufacturing of standard ESD control process.
- Per JEDEC document JEP157, 250V HBM allows safe manufacturing of standard ESD control process.

7.3. Recommended Operating Conditions

PARAMETER		MIN	TYP	MAX	UNIT
V _{DDA} , V _{DDB}	Supply voltage on side A, B	2.375		5.50	V
V _{DD(UVLO+)}	V _{DD} Under-voltage-Lockout Threshold When Supply Voltage is Rising	1.95	2.24	2.375	V
V _{DD(UVLO-)}	V _{DD} Under-voltage-Lockout Threshold When Supply Voltage is Falling	1.88	2.10	2.325	V
V _{HYS(UVLO)}	V _{DD} Under-voltage-Lockout Threshold Hysteresis	70	140	250	mV
I _{OH}	High-level Output Current	V _{DDO} ¹ = 5V		-4	mA
		V _{DDO} = 3.3V		-2	
		V _{DDO} = 2.5V		-1	
I _{OL}	Low-level Output Current	V _{DDO} = 5V		4	mA
		V _{DDO} = 3.3V		2	
		V _{DDO} = 2.5V		1	
V _{IH}	High-level Input Voltage	2.0			V
V _{IL}	Low-level Input Voltage			0.8	V
DR	Data Rate	0		150	Mbps
T _A	Ambient Temperature	-40	27	125	°C

Note:

- V_{DDO} = Output-side supply V_{DD}.

7.4. Thermal Information

Thermal Metric	CA-IS386x	Unit	
	SOIC16-WB(W)		
R _{θJA}	Junction-to-ambient thermal resistance	83.4	°C/W

7.5. Power Rating

Parameters		Test conditions	MIN	TYP	MAX	Unit
CA-IS3860						
P_D	Maximum Power Dissipation	$V_{DDA} = V_{DDB} = 5.5\text{ V}$, $C_L = 15\text{ pF}$, $T_J = 150^\circ\text{C}$, Input a 75-MHz 50% duty cycle square wave.			494	mW
P_{DA}	Maximum Power Dissipation on Side-A				49	mW
P_{DB}	Maximum Power Dissipation on Side-B				445	mW
CA-IS3861						
P_D	Maximum Power Dissipation	$V_{DDA} = V_{DDB} = 5.5\text{ V}$, $C_L = 15\text{ pF}$, $T_J = 150^\circ\text{C}$, Input a 75-MHz 50% duty cycle square wave.			494	mW
P_{DA}	Maximum Power Dissipation on Side-A				113	mW
P_{DB}	Maximum Power Dissipation on Side-B				381	mW
CA-IS3862						
P_D	Maximum Power Dissipation	$V_{DDA} = V_{DDB} = 5.5\text{ V}$, $C_L = 15\text{ pF}$, $T_J = 150^\circ\text{C}$, Input a 75-MHz 50% duty cycle square wave.			494	mW
P_{DA}	Maximum Power Dissipation on Side-A				180	mW
P_{DB}	Maximum Power Dissipation on Side-B				314	mW
CA-IS3863						
P_D	Maximum Power Dissipation	$V_{DDA} = V_{DDB} = 5.5\text{ V}$, $C_L = 15\text{ pF}$, $T_J = 150^\circ\text{C}$, Input a 75-MHz 50% duty cycle square wave.			494	mW
P_{DA}	Maximum Power Dissipation on Side-A				247	mW
P_{DB}	Maximum Power Dissipation on Side-B				247	mW

7.6. Insulation Specifications

Parameters		Test conditions	Value	Unit
			W	
CLR	External Clearance ¹	Shortest terminal-to-terminal distance through air	>8	mm
CPG	External Creepage ¹	Shortest terminal-to-terminal distance across the package surface	>8	mm
DTI	Distance through the insulation	Minimum internal gap (internal clearance)	28	μm
CTI	Comparative tracking index	DIN EN 60112 (VDE 0303-11); IEC 60112	>600	V
	Material group	Per IEC 60664-1	I	
Overvoltage category per IEC 60664-1		Rated mains voltage ≤ 300 V _{RMS}	I-IV	
		Rated mains voltage ≤ 600 V _{RMS}	I-IV	
		Rated mains voltage ≤ 1000 V _{RMS}	I-III	
DIN V VDE V 0884-17:2021-10²				
V _{IORM}	Maximum repetitive peak isolation voltage	AC voltage (bipolar)	2121	V _{PK}
V _{IOWM}	Maximum operating isolation voltage	AC voltage; time-dependent dielectric breakdown (TDDB) test	1500	V _{RMS}
		DC voltage	2121	V _{DC}
V _{IOTM}	Maximum transient isolation voltage	V _{TEST} = V _{IOTM} , t=60 s (certified); V _{TEST} = 1.2 × V _{IOTM} , t=1 s (100% product test)	8000	V _{PK}
V _{IOSM}	Maximum surge isolation voltage ³	Test method per IEC 60065, 1.2/50 μs waveform, V _{TEST} = 1.6 × V _{IOSM} (certified)	8000	V _{PK}
Q _{pd}	Apparent charge ⁴	Method a, after input/output safety test of the subgroup 2/3, V _{ini} = V _{IOTM} , t _{ini} = 60 s; V _{pd(m)} = 1.2 × V _{IORM} , t _m = 10 s	≤5	pC
		Method a, after environmental test of the subgroup 1, V _{ini} = V _{IOTM} , t _{ini} = 60 s; V _{pd(m)} = 1.6 × V _{IORM} , t _m = 10 s	≤5	
		Method b, at routine test (100% production test) and preconditioning (type test) V _{ini} = 1.2 × V _{IOTM} , t _{ini} = 1 s; V _{pd(m)} = 1.875 × V _{IORM} , t _m = 1 s	≤5	
C _{IO}	Barrier capacitance, input to output ⁵	V _{IO} = 0.4 × sin(2πft), f = 1 MHz	~0.5	pF
R _{IO}	Isolation resistance ⁵	V _{IO} = 500 V, T _A = 25°C	>10 ¹²	Ω
		V _{IO} = 500 V, 100°C ≤ T _A ≤ 125°C	>10 ¹¹	
		V _{IO} = 500 V at T _S = 150°C	>10 ⁹	
	Pollution degree		2	
UL 1577				
V _{ISO}	Maximum withstanding isolation voltage	V _{TEST} = V _{ISO} , t = 60 s (qualification) V _{TEST} = 1.2 × V _{ISO} , t = 1 s (100% production test)	5700	V _{RMS}
NOTE:				
<ol style="list-style-type: none"> Creepage and clearance requirements should be applied according to the specific equipment isolation standards of an application. Care should be taken to maintain the creepage and clearance distance of a board design to ensure that the mounting pads of the isolator on the printed-circuit board do not reduce this distance. Creepage and clearance on a printed-circuit board become equal in certain cases. Techniques such as inserting grooves and/or ribs on a printed circuit board are used to help increase these specifications. This coupler is suitable for safe electrical insulation only within the safety ratings. Compliance with the safety ratings shall be ensured by means of suitable protective circuits. Testing is carried out in air or oil to determine the intrinsic surge immunity of the isolation barrier. Apparent charge is electrical discharge caused by a partial discharge (pd). All pins on each side of the barrier tied together creating a two-terminal device. 				

7.7. Safety-Related Certifications

VDE	UL	TUV
Recognized under DIN V VDE V 0884-17:2021-10	Recognized under UL 1577 Component Recognition Program	Recognized under EN 61010-1:2010+A1
Maximum transient isolation voltage: 8000V _{pk} (SOIC16-WB) Maximum repetitive peak isolation voltage: 2121V _{pk} (SOIC16-WB) Maximum surge isolation voltage: 8000V _{pk} (SOIC16-WB)	Single Protection: SOIC16-WB: 5700V _{RMS} ;	SOIC16-WB: 5000V _{RMS} ;
Certification Number: 40057278	Certification Number: E511334	Certification Number: CN23RC4J 001

7.8. Electrical Characteristics
 $V_{DDA} = V_{DDB} = 5\text{ V} \pm 10\%$, $T_A = -40\text{ to }125^\circ\text{C}$ (over recommended operating conditions, unless otherwise specified)

Parameters		Test conditions	MIN	TYP	MAX	UNIT
V_{OH}	High-level Output Voltage	$I_{OH} = -4\text{mA}$; See Figure 8- 1	$V_{DDO}^{1-0.4}$	4.8		V
V_{OL}	Low-level Output Voltage	$I_{OL} = 4\text{mA}$; See Figure 8- 1		0.2	0.4	V
$V_{IT+(IN)}$	Positive-going Input Logic High		2			V
$V_{IT-(IN)}$	Negative-going Input Logic Low				0.8	V
$V_{IT+(EN)}$	EN Pin input Logic High		$0.7 \cdot V_{DD}$			V
$V_{IT-(EN)}$	EN Pin input Logic Low				$0.3 \cdot V_{DD}$	V
I_{IH}	High-Level Input Leakage Current	$V_{IH} = V_{DDA}$ at INx or ENx			20	μA
I_{IL}	Low-Level Input Leakage Current	$V_{IL} = 0\text{ V}$ at INx	-20			μA
Z_O	Output Impedance ²			50		Ω
CMTI	Common-mode Transient Immunity	$V_I = V_{DDI}^1$ or 0 V, $V_{CM} = 1200\text{V}$; See Figure 8- 3	100	150		$\text{kV}/\mu\text{s}$
C_i	Input Capacitance ³	$V_I = V_{DD}/2 + 0.4 \times \sin(2\pi ft)$, $f = 1\text{ MHz}$, $V_{DD} = 5\text{ V}$		2		pF

Notes:

- V_{DDI} = Input-side supply V_{DD} , V_{DDO} = Output-side supply V_{DD} .
- The nominal output impedance of each isolator driver is $50\ \Omega \pm 40\%$.
- Measured from pin to Ground.

 $V_{DDA} = V_{DDB} = 3.3\text{ V} \pm 10\%$, $T_A = -40\text{ to }125^\circ\text{C}$ (over recommended operating conditions, unless otherwise specified)

Parameters		Test conditions	MIN	TYP	MAX	UNIT
V_{OH}	High-level Output Voltage	$I_{OH} = -2\text{mA}$; See Figure 8- 1	$V_{DDO}^{1-0.4}$	3.1		V
V_{OL}	Low-level Output Voltage	$I_{OL} = 2\text{mA}$; See Figure 8- 1		0.2	0.4	V
$V_{IT+(IN)}$	Positive-going Input Logic High		2			V
$V_{IT-(IN)}$	Negative-going Input Logic Low				0.8	V
$V_{IT+(EN)}$	EN Pin input Logic High		$0.7 \cdot V_{DD}$			V
$V_{IT-(EN)}$	EN Pin input Logic Low				$0.3 \cdot V_{DD}$	V
I_{IH}	High-Level Input Leakage Current	$V_{IH} = V_{DDA}$ at INx or ENx			20	μA
I_{IL}	Low-Level Input Leakage Current	$V_{IL} = 0\text{ V}$ at INx	-20			μA
Z_O	Output Impedance ²			50		Ω
CMTI	Common-mode Transient Immunity	$V_I = V_{DDI}^1$ or 0 V, $V_{CM} = 1200\text{V}$; See Figure 8- 3	100	150		$\text{kV}/\mu\text{s}$
C_i	Input Capacitance ³	$V_I = V_{DD}/2 + 0.4 \times \sin(2\pi ft)$, $f = 1\text{ MHz}$, $V_{DD} = 3.3\text{ V}$		2		pF

Notes:

- V_{DDI} = Input-side supply V_{DD} , V_{DDO} = Output-side supply V_{DD} .
- The nominal output impedance of each isolator driver is $50\ \Omega \pm 40\%$.
- Measured from pin to Ground.

 $V_{DDA} = V_{DDB} = 2.5\text{ V} \pm 10\%$, $T_A = -40\text{ to }125^\circ\text{C}$ (over recommended operating conditions, unless otherwise specified)

Parameters		Test conditions	MIN	TYP	MAX	UNIT
V_{OH}	High-level Output Voltage	$I_{OH} = -1\text{mA}$; See Figure 8- 1	$V_{DDO}^{1-0.4}$	2.3		V
V_{OL}	Low-level Output Voltage	$I_{OL} = 1\text{mA}$; See Figure 8- 1		0.2	0.4	V
$V_{IT+(IN)}$	Positive-going Input Logic High		2			V
$V_{IT-(IN)}$	Negative-going Input Logic Low				0.8	V
$V_{IT+(EN)}$	EN Pin input Logic High		$0.7 \cdot V_{DD}$			V
$V_{IT-(EN)}$	EN Pin input Logic Low				$0.3 \cdot V_{DD}$	V
I_{IH}	High-Level Input Leakage Current	$V_{IH} = V_{DDA}$ at INx or ENx			20	μA
I_{IL}	Low-Level Input Leakage Current	$V_{IL} = 0\text{ V}$ at INx	-20			μA
Z_O	Output Impedance ²			50		Ω
CMTI	Common-mode Transient Immunity	$V_I = V_{DDI}^1$ or 0 V, $V_{CM} = 1200\text{V}$; See Figure 8- 3	100	150		$\text{kV}/\mu\text{s}$
C_i	Input Capacitance ³	$V_I = V_{DD}/2 + 0.4 \times \sin(2\pi ft)$, $f = 1\text{ MHz}$, $V_{DD} = 2.5\text{ V}$		2		pF

Notes:

- V_{DDI} = Input-side supply V_{DD} , V_{DDO} = Output-side supply V_{DD} .
- The nominal output impedance of each isolator driver is $50\ \Omega \pm 40\%$.

3. Measured from pin to Ground.

7.9. Supply Current Characteristics
 $V_{DDA} = V_{DDB} = 5\text{ V} \pm 10\%$, $T_A = -40\text{ to }125^\circ\text{C}$ (over recommended operating conditions, unless otherwise specified).

Parameters	Test conditions	SUPPLY CURRENT	MIN	TYP	MAX	UNIT
CA-IS3860						
Supply Current – DC Signal	$V_{IN} = 0\text{V}$ (CA-IS3860L); $V_{IN} = V_{DDA}$ (CA-IS3860H)	I_{DDA}		2.0	2.9	mA
		I_{DDB}		3.9	5.7	
	$V_{IN} = V_{DDA}$ (CA-IS3860L); $V_{IN} = 0\text{V}$ (CA-IS3860H)	I_{DDA}		7.0	10.7	
		I_{DDB}		4.1	6.1	
Supply Current – AC Signal	All Channels Switching with 50% Duty Cycle Square Wave Clock Input with 5V Amplitude; $C_L = 15\text{ pF}$ for Each Channel.	1Mbps (500kHz)	I_{DDA}	4.5	6.8	
			I_{DDB}	6.3	9.3	
		10Mbps (5MHz)	I_{DDA}	4.8	7.2	
			I_{DDB}	26.9	40.6	
		100Mbps (50MHz)	I_{DDA}	6.4	9.5	
			I_{DDB}	59.0	80	
CA-IS3861						
Supply Current – DC Signal	$V_{IN} = 0\text{V}$ (CA-IS3861L); $V_{IN} = V_{DDI}^1$ (CA-IS3861H)	I_{DDA}		2.3	3.4	mA
		I_{DDB}		3.6	5.3	
	$V_{IN} = V_{DDI}^1$ (CA-IS3861L); $V_{IN} = 0\text{V}$ (CA-IS3861H)	I_{DDA}		6.5	9.9	
		I_{DDB}		4.6	6.9	
Supply Current – AC Signal	All Channels Switching with 50% Duty Cycle Square Wave Clock Input with 5V Amplitude; $C_L = 15\text{ pF}$ for Each Channel.	1Mbps (500kHz)	I_{DDA}	4.5	6.7	
			I_{DDB}	5.7	8.4	
		10Mbps (5MHz)	I_{DDA}	5.1	7.6	
			I_{DDB}	19.8	29.9	
		100Mbps (50MHz)	I_{DDA}	10.6	16.3	
			I_{DDB}	45.6	62.1	
CA-IS3862						
Supply Current – DC Signal	$V_{IN} = 0\text{V}$ (CA-IS3862L); $V_{IN} = V_{DDI}^1$ (CA-IS3862H)	I_{DDA}		2.8	4.5	mA
		I_{DDB}		3.8	5.8	
	$V_{IN} = V_{DDI}^1$ (CA-IS3862L); $V_{IN} = 0\text{V}$ (CA-IS3862H)	I_{DDA}		6.2	9.9	
		I_{DDB}		5.6	8.7	
Supply Current – AC Signal	All Channels Switching with 50% Duty Cycle Square Wave Clock Input with 5V Amplitude; $C_L = 15\text{ pF}$ for Each Channel.	1Mbps (500kHz)	I_{DDA}	5.4	8.3	
			I_{DDB}	6.3	9.5	
		10Mbps (5MHz)	I_{DDA}	13.1	18.3	
			I_{DDB}	21.0	31.5	
		100Mbps (50MHz)	I_{DDA}	26.0	36.9	
			I_{DDB}	44.7	72.2	
CA-IS3863						
Supply Current – DC Signal	$V_{IN} = 0\text{V}$ (CA-IS3863L); $V_{IN} = V_{DDI}^1$ (CA-IS3863H)	I_{DDA}		2.9	4.4	mA
		I_{DDB}		2.9	4.4	
	$V_{IN} = V_{DDI}^1$ (CA-IS3863L); $V_{IN} = 0\text{V}$ (CA-IS3863H)	I_{DDA}		5.5	8.4	
		I_{DDB}		5.5	8.4	
Supply Current – AC Signal	All Channels Switching with 50% Duty Cycle Square Wave Clock Input with 5V Amplitude; $C_L = 15\text{ pF}$ for Each Channel.	1Mbps (500kHz)	I_{DDA}	4.3	6.5	
			I_{DDB}	4.3	6.5	
		10Mbps (5MHz)	I_{DDA}	5.7	8.4	
			I_{DDB}	5.7	8.4	
		100Mbps (50MHz)	I_{DDA}	19.9	30.0	
			I_{DDB}	19.9	30.0	
Note:						
1. $V_{DDI} =$ Input-side supply V_{DD} .						

$V_{DDA} = V_{DDB} = 3.3\text{ V} \pm 10\%$, $T_A = -40\text{ to }125^\circ\text{C}$ (over recommended operating conditions, unless otherwise specified)

Parameters	Test conditions	SUPPLY CURRENT	MIN	TYP	MAX	UNIT	
CA-IS3860							
Supply Current – DC Signal	$V_{IN} = 0\text{V}$ (CA-IS3860L); $V_{IN} = V_{DDA}$ (CA-IS3860H)	I_{DDA}		1.9	2.8	mA	
		I_{DDB}		3.6	5.4		
	$V_{IN} = V_{DDA}$ (CA-IS3860L); $V_{IN} = 0\text{V}$ (CA-IS3860H)	I_{DDA}		6.8	10.5		
		I_{DDB}		3.9	5.7		
Supply Current – AC Signal	All Channels Switching with 50% Duty Cycle Square Wave Clock Input with 3.3V Amplitude; $C_L = 15\text{ pF}$ for Each Channel.	1Mbps (500kHz)	I_{DDA}		4.4		6.7
			I_{DDB}		5.2		7.5
		10Mbps (5MHz)	I_{DDA}		4.6		7.0
			I_{DDB}		18.3		24.6
		100Mbps (50MHz)	I_{DDA}		6.1	9.0	
			I_{DDB}		38.3	51.8	
CA-IS3861							
Supply Current – DC Signal	$V_{IN} = 0\text{V}$ (CA-IS3861L); $V_{IN} = V_{DDI}^1$ (CA-IS3861H)	I_{DDA}		2.2	3.2	mA	
		I_{DDB}		3.4	5.0		
	$V_{IN} = V_{DDI}^1$ (CA-IS3861L); $V_{IN} = 0\text{V}$ (CA-IS3861H)	I_{DDA}		6.3	9.7		
		I_{DDB}		4.4	6.5		
Supply Current – AC Signal	All Channels Switching with 50% Duty Cycle Square Wave Clock Input with 3.3V Amplitude; $C_L = 15\text{ pF}$ for Each Channel.	1Mbps (500kHz)	I_{DDA}		4.3		6.5
			I_{DDB}		4.8		7.1
		10Mbps (5MHz)	I_{DDA}		4.8		7.1
			I_{DDB}		13.9		18.9
		100Mbps (50MHz)	I_{DDA}		8.6	12.2	
			I_{DDB}		30.1	40.8	
CA-IS3862							
Supply Current – DC Signal	$V_{IN} = 0\text{V}$ (CA-IS3862L); $V_{IN} = V_{DDI}^1$ (CA-IS3862H)	I_{DDA}		2.7	4.3	mA	
		I_{DDB}		3.6	5.6		
	$V_{IN} = V_{DDI}^1$ (CA-IS3862L); $V_{IN} = 0\text{V}$ (CA-IS3862H)	I_{DDA}		6.0	9.7		
		I_{DDB}		5.4	8.4		
Supply Current – AC Signal	All Channels Switching with 50% Duty Cycle Square Wave Clock Input with 3.3V Amplitude; $C_L = 15\text{ pF}$ for Each Channel.	1Mbps (500kHz)	I_{DDA}		4.9		7.7
			I_{DDB}		5.6		8.5
		10Mbps (5MHz)	I_{DDA}		10.0		14.3
			I_{DDB}		15.2		22.7
		100Mbps (50MHz)	I_{DDA}		18.5	26.2	
			I_{DDB}		30.4	48.1	
CA-IS3863							
Supply Current – DC Signal	$V_{IN} = 0\text{V}$ (CA-IS3863L); $V_{IN} = V_{DDI}^1$ (CA-IS3863H)	I_{DDA}		2.7	4.1	mA	
		I_{DDB}		2.7	4.1		
	$V_{IN} = V_{DDI}^1$ (CA-IS3863L); $V_{IN} = 0\text{V}$ (CA-IS3863H)	I_{DDA}		5.3	8.1		
		I_{DDB}		5.3	8.1		
Supply Current – AC Signal	All Channels Switching with 50% Duty Cycle Square Wave Clock Input with 3.3V Amplitude; $C_L = 15\text{ pF}$ for Each Channel.	1Mbps (500kHz)	I_{DDA}		4.1		6.2
			I_{DDB}		4.1		6.2
		10Mbps (5MHz)	I_{DDA}		5.1		7.4
			I_{DDB}		5.1		7.4
		100Mbps (50MHz)	I_{DDA}		13.6	18.7	
			I_{DDB}		13.6	18.7	
Note:							
1. V_{DDI}^1 = Input-side supply V_{DD} .							

CA-IS3860, CA-IS3861, CA-IS3862, CA-IS3863

Version 1.04, 2023/11/02

Shanghai Chipanalog Microelectronics Co., Ltd.

 $V_{DDA} = V_{DDB} = 2.5\text{ V} \pm 10\%$, $T_A = -40\text{ to }125^\circ\text{C}$ (over recommended operating conditions, unless otherwise specified)

Parameters	Test conditions	SUPPLY CURRENT	MIN	TYP	MAX	UNIT	
CA-IS3860							
Supply Current – DC Signal	$V_{IN} = 0\text{V}$ (CA-IS3860L); $V_{IN} = V_{DDA}$ (CA-IS3860H)	I_{DDA}		1.9	2.7	mA	
		I_{DDB}		3.6	5.2		
	$V_{IN} = V_{DDA}$ (CA-IS3860L); $V_{IN} = 0\text{V}$ (CA-IS3860H)	I_{DDA}		6.8	10.4		
		I_{DDB}		3.8	5.5		
Supply Current – AC Signal	All Channels Switching with 50% Duty Cycle Square Wave Clock Input with 2.5V Amplitude; $C_L = 15\text{ pF}$ for Each Channel.	1Mbps (500kHz)	I_{DDA}		4.3		6.6
			I_{DDB}		4.8		6.9
		10Mbps (5MHz)	I_{DDA}		4.6		6.9
			I_{DDB}		14.7		19.8
		100Mbps (50MHz)	I_{DDA}		5.7	8.5	
			I_{DDB}		28.9	39.0	
CA-IS3861							
Supply Current – DC Signal	$V_{IN} = 0\text{V}$ (CA-IS3861L); $V_{IN} = V_{DDI}^1$ (CA-IS3861H)	I_{DDA}		2.1	3.2	mA	
		I_{DDB}		3.3	4.8		
	$V_{IN} = V_{DDI}^1$ (CA-IS3861L); $V_{IN} = 0\text{V}$ (CA-IS3861H)	I_{DDA}		6.3	9.6		
		I_{DDB}		4.3	6.4		
Supply Current – AC Signal	All Channels Switching with 50% Duty Cycle Square Wave Clock Input with 2.5V Amplitude; $C_L = 15\text{ pF}$ for Each Channel.	1Mbps (500kHz)	I_{DDA}		4.3		6.4
			I_{DDB}		4.5		6.6
		10Mbps (5MHz)	I_{DDA}		4.6		6.9
			I_{DDB}		11.4		15.5
		100Mbps (50MHz)	I_{DDA}		7.6	10.8	
			I_{DDB}		23.1	31.2	
CA-IS3862							
Supply Current – DC Signal	$V_{IN} = 0\text{V}$ (CA-IS3862L); $V_{IN} = V_{DDI}^1$ (CA-IS3862H)	I_{DDA}		2.6	4.2	mA	
		I_{DDB}		3.5	5.5		
	$V_{IN} = V_{DDI}^1$ (CA-IS3862L); $V_{IN} = 0\text{V}$ (CA-IS3862H)	I_{DDA}		6.0	9.6		
		I_{DDB}		5.3	8.3		
Supply Current – AC Signal	All Channels Switching with 50% Duty Cycle Square Wave Clock Input with 2.5V Amplitude; $C_L = 15\text{ pF}$ for Each Channel.	1Mbps (500kHz)	I_{DDA}		4.8		7.4
			I_{DDB}		5.2		8.0
		10Mbps (5MHz)	I_{DDA}		8.6		12.4
			I_{DDB}		12.6		18.6
		100Mbps (50MHz)	I_{DDA}		14.8	21.2	
			I_{DDB}		23.3	36.3	
CA-IS3863							
Supply Current – DC Signal	$V_{IN} = 0\text{V}$ (CA-IS3863L); $V_{IN} = V_{DDI}^1$ (CA-IS3863H)	I_{DDA}		2.7	4.0	mA	
		I_{DDB}		2.7	4.0		
	$V_{IN} = V_{DDI}^1$ (CA-IS3863L); $V_{IN} = 0\text{V}$ (CA-IS3863H)	I_{DDA}		5.2	8.0		
		I_{DDB}		5.2	8.0		
Supply Current – AC Signal	All Channels Switching with 50% Duty Cycle Square Wave Clock Input with 2.5V Amplitude; $C_L = 15\text{ pF}$ for Each Channel.	1Mbps (500kHz)	I_{DDA}		4.0		6.1
			I_{DDB}		4.0		6.1
		10Mbps (5MHz)	I_{DDA}		4.8		7.0
			I_{DDB}		4.8		7.0
		100Mbps (50MHz)	I_{DDA}		11.3	16.0	
			I_{DDB}		11.3	16.0	
Note:							
1. $V_{DDI} = \text{Input-side supply } V_{DD}$.							

7.10. Timing Characteristics
 $V_{DDA} = V_{DDB} = 5\text{ V} \pm 10\%$, $T_A = -40\text{ to }125^\circ\text{C}$ (over recommended operating conditions, unless otherwise specified)

PARAMETER	TEST CONDITIONS	MIN	TYP	MAX	UNIT
DR Data Rate		0		150	Mbps
PW_{min} Minimum Pulse Width				5.0	ns
t_{PLH} , t_{PHL} Propagation Delay Time	See Figure 8- 1		12.0	15.0	ns
PWD Pulse Width Distortion $ t_{PLH} - t_{PHL} $			0.2	4.5	ns
$t_{sk(o)}$ Channel-to-Channel Output Skew Time ¹	Same-direction channels		0.4	2.5	ns
$t_{sk(pp)}$ Part-to-Part Output Skew Time ²			2.0	4.5	ns
t_r Output Signal Rise Time	See Figure 8- 1		2.5	4.0	ns
t_f Output Signal Fall Time	See Figure 8- 1		2.5	4.0	ns
t_{DO} Default Output Delay Time from Input Power Loss	See Figure 8- 1		8	12	μs
t_{SU} Start-up Time			15	40	μs

Notes:

1. $t_{sk(o)}$ is the skew between outputs of a single device with all driving inputs connected together and the outputs switching in the same direction while driving identical loads.
2. $t_{sk(pp)}$ is the magnitude of the difference in propagation delay times between any terminals of different devices switching in the same direction while operating at identical supply voltages, temperature, input signals and loads.

 $V_{DDA} = V_{DDB} = 3.3\text{ V} \pm 10\%$, $T_A = -40\text{ to }125^\circ\text{C}$ (over recommended operating conditions, unless otherwise specified)

PARAMETER	TEST CONDITIONS	MIN	TYP	MAX	UNIT
DR Data Rate		0		150	Mbps
PW_{min} Minimum Pulse Width				5.0	ns
t_{PLH} , t_{PHL} Propagation Delay Time	See Figure 8- 1		12.0	17.0	ns
PWD Pulse Width Distortion $ t_{PLH} - t_{PHL} $			0.2	4.5	ns
$t_{sk(o)}$ Channel-to-Channel Output Skew Time ¹	Same-direction channels		0.4	2.5	ns
$t_{sk(pp)}$ Part-to-Part Output Skew Time ²			2.0	4.5	ns
t_r Output Signal Rise Time	See Figure 8- 1		2.5	4.0	ns
t_f Output Signal Fall Time	See Figure 8- 1		2.5	4.0	ns
t_{DO} Default Output Delay Time from Input Power Loss	See Figure 8- 1		8	12	μs
t_{SU} Start-up Time			15	40	μs

Notes:

1. $t_{sk(o)}$ is the skew between outputs of a single device with all driving inputs connected together and the outputs switching in the same direction while driving identical loads.
2. $t_{sk(pp)}$ is the magnitude of the difference in propagation delay times between any terminals of different devices switching in the same direction while operating at identical supply voltages, temperature, input signals and loads.

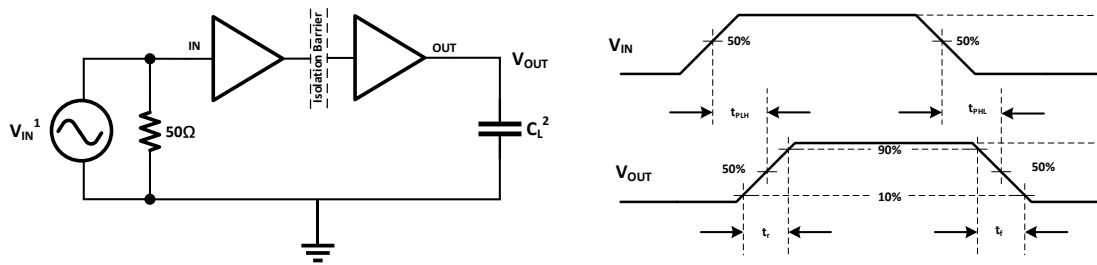
 $V_{DDA} = V_{DDB} = 2.5\text{ V} \pm 10\%$, $T_A = -40\text{ to }125^\circ\text{C}$ (over recommended operating conditions, unless otherwise specified)

PARAMETER	TEST CONDITIONS	MIN	TYP	MAX	UNIT
DR Data Rate		0		150	Mbps
PW_{min} Minimum Pulse Width				5.0	ns
t_{PLH} , t_{PHL} Propagation Delay Time	See Figure 8- 1		12.0	20.0	ns
PWD Pulse Width Distortion $ t_{PLH} - t_{PHL} $			0.2	4.5	ns
$t_{sk(o)}$ Channel-to-Channel Output Skew Time ¹	Same-direction channels		0.4	2.5	ns
$t_{sk(pp)}$ Part-to-Part Output Skew Time ²			2.0	5.0	ns
t_r Output Signal Rise Time	See Figure 8- 1		2.5	4.0	ns
t_f Output Signal Fall Time	See Figure 8- 1		2.5	4.0	ns
t_{DO} Default Output Delay Time from Input Power Loss	See Figure 8- 1		8	12	μs
t_{SU} Start-up Time			15	40	μs

Notes:

1. $t_{sk(o)}$ is the skew between outputs of a single device with all driving inputs connected together and the outputs switching in the same direction while driving identical loads.
2. $t_{sk(pp)}$ is the magnitude of the difference in propagation delay times between any terminals of different devices switching in the same direction while operating at identical supply voltages, temperature, input signals and loads.

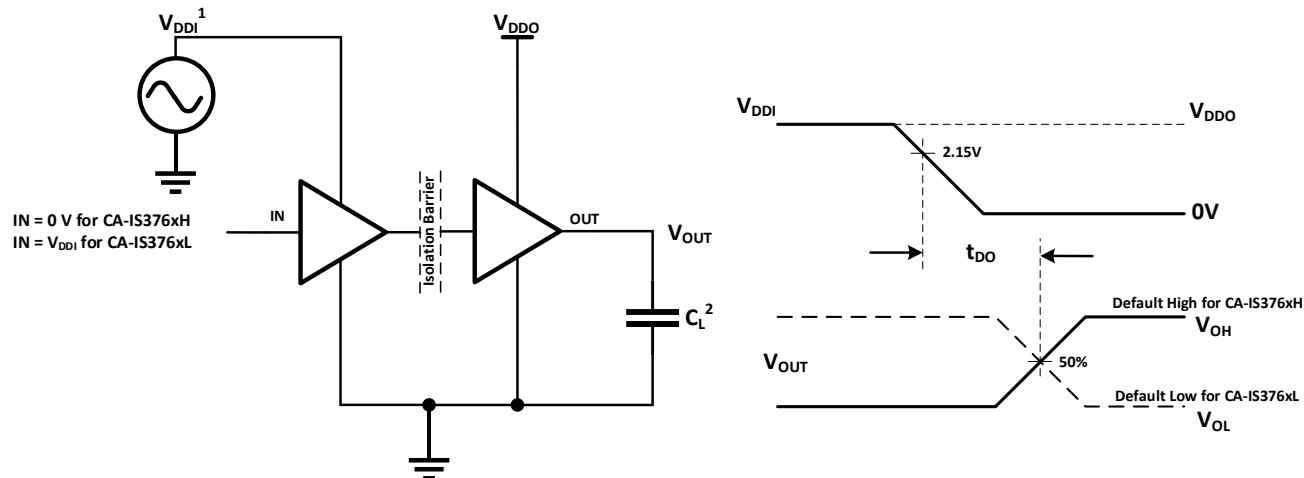
8. Parameter Measurement Information



Notes:

1. A square wave generator provide V_{IN} input signal with the following characteristics: frequency $\leq 100\text{kHz}$, 50% duty cycle, $t_r \leq 3\text{ns}$, $t_f \leq 3\text{ns}$, $Z_{out} = 50\Omega$. At the input, 50Ω resistor is required to terminate input generator signal. It is not needed in actual application.
2. $C_L = 15\text{pF}$ and includes external circuit (instrumentation and fixture etc.) capacitance. Since the load capacitance influence the output rising time, it's a key factor in the timing characteristic measurement.

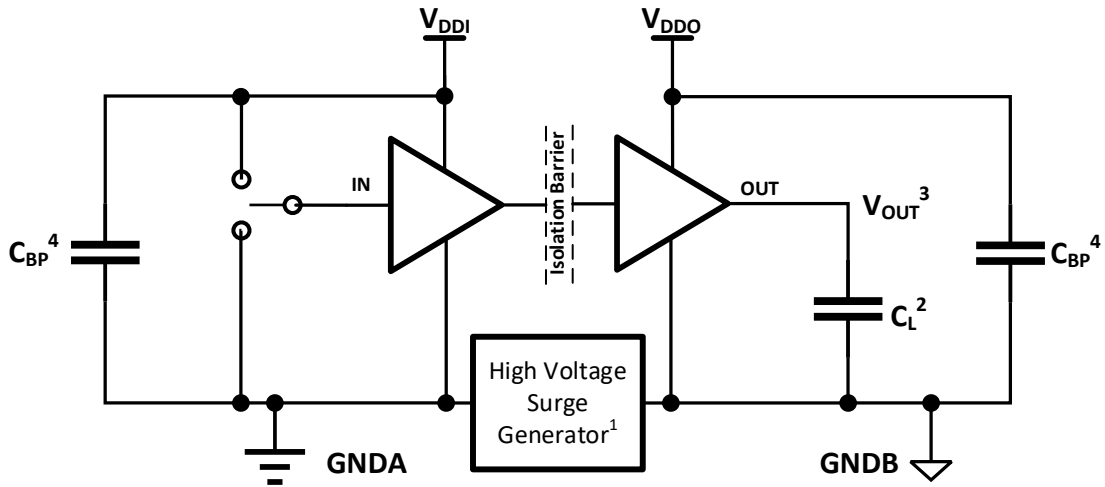
Figure 8- 1 Switching Characteristics Test Circuit and Voltage Waveforms



Notes:

1. Power Supply Ramp Rate = 10 mV/ns . V_{DD1} should ramp over 2.375V , and less than 5.5V .
2. $C_L = 15\text{pF}$ and includes external circuit (instrumentation and fixture etc.) capacitance. Since the load capacitance influence the output rising time, it's a key factor in the timing characteristic measurement.

Figure 8- 2 Default Output Delay Time Test Circuit and Voltage Waveforms



Notes:

1. The High Voltage Surge Generator generates repetitive high voltage surges with > 1kV amplitude, rise time <10ns and fall time <10ns, to reach common-mode transient noise with > 150kV/μs slew rate.
2. C_L = 15pF and includes external circuit (instrumentation and fixture etc.) capacitance.
3. Pass-fail criteria: the output must remain stable.
4. C_{BP} (0.1 ~ 1uF) is bypass capacitance.

Figure 8- 3 Common-Mode Transient Immunity Test Circuit

9. Detailed Description

9.1. Overview

The CA-IS386x are a family of six-channel digital galvanic isolators using Chipanalog’s full differential capacitive isolation technology. These devices have an ON-OFF keying (OOK) modulation scheme to transfer digital signals across the SiO₂ based isolation barrier between circuits with different power domains. The transmitter sends a high frequency carrier across the barrier to represent one digital state and sends no signal to represent the other digital state. The receiver demodulates the signal and recovery input signal at output through a buffer stage. With this OOK architecture, CA-IS386x family of devices build a robust data transmission path between different power domains without any special start-up initialization requirements. These devices also incorporate advanced full differential techniques to maximize the CMTI performance and minimize the radiated emissions due the high frequency carrier and IO buffer switching.

9.2. Functional Block Diagram

The conceptual block diagram of a digital capacitive isolator, Figure 9- 1, shows a functional block diagram of a typical channel; Figure 9- 2shows the operating waveform of a typical channel. Each channel of the CA-IS386x is unidirectional, only passes data in one direction as indicated in the functional diagram. Each device of this family features six unidirectional channels that operate independently with guaranteed data rates from DC up to 150Mbps.

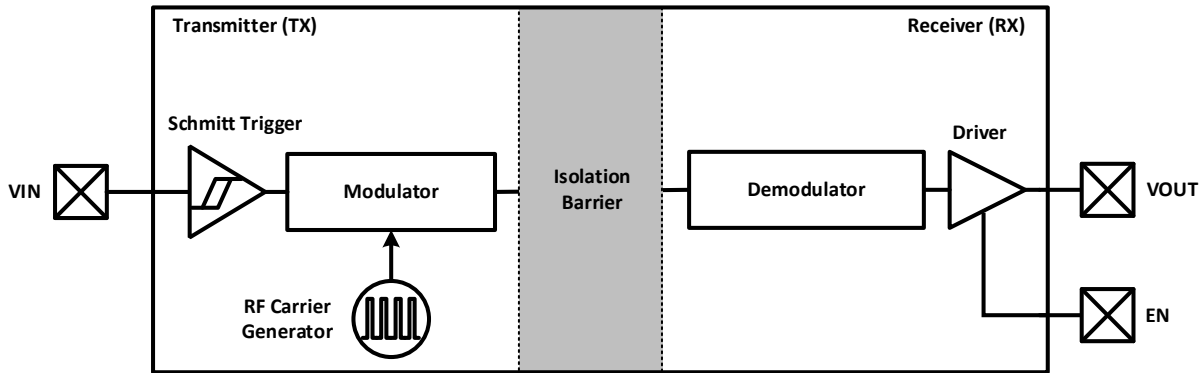


Figure 9- 1 Functional Block Diagram of a Single Channel

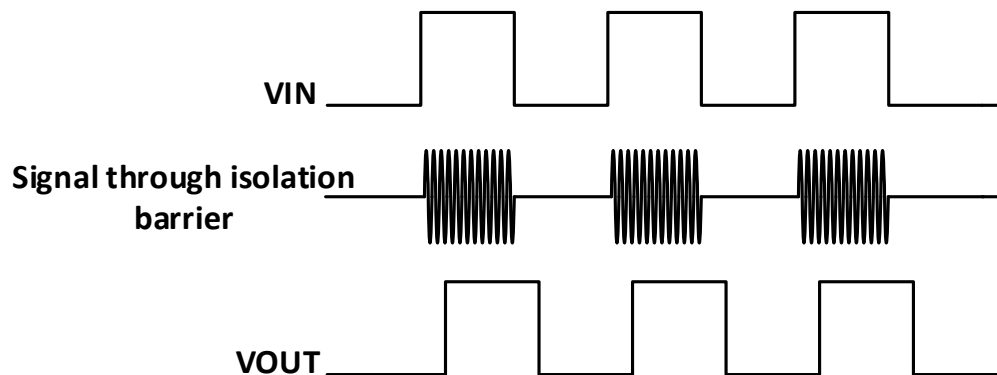


Figure 9- 2 Conceptual Operation Waveforms of a Single Channel

9.3. Device Operation Modes

Table 9-1 lists the operation modes for the CA-IS386x devices.

Table 9-1. Operation Mode

V_{DDI}^1	V_{DDO}^1	INPUT (V_{Ix}) ²	OUTPUT (VO_x)	OPERATION
PU	PU	H	H	Normal operation mode: A channel output follows the logic state of its input.
		L	L	
		Open	Default	Default output mode: When input V_{Ix} is open, the corresponding channel output goes to its default logic state. Default is <i>High</i> for CA-IS386xH and <i>Low</i> for CA-IS386xL.
PD	PU	X	Default	Default output mode: When V_{DDI} is unpowered, a channel output assumes the logic state based on its default option. Default is <i>High</i> for CA-IS386xH and <i>Low</i> for CA-IS386xL.
X	PD	X	Undetermined	If the output side V_{DDO} is unpowered, a channel output is undetermined. ³

Notes:

- V_{DDI} = Input-side supply V_{DD} ; V_{DDO} = Output-side supply V_{DD} ; PU = Powered up ($V_{DD} \geq V_{DD(UVLO+)}$); PD = Powered down ($V_{DD} \leq V_{DD(UVLO-)}$); X = Irrelevant; H = High level; L = Low level; Z = High Impedance.
- A strongly driven input signal can weakly power the floating V_{DD} through an internal protection diode and cause undetermined output.
- The outputs are in undetermined state when $V_{DD(UVLO-)} < V_{DDI}$, $V_{DDO} < V_{DD(UVLO+)}$.

10. Application and Implementation

The CA-IS386x isolation ICs provide complete galvanic isolation between two power domains, protecting circuits from high common-mode transients and faults, eliminating ground loops. In many applications, digital isolators are replacing optocouplers because they can reduce the power requirements and take up less board space while offering the same isolation capability. The CA-IS386x devices are the high-performance, six-channel digital isolators. Unlike optocouplers, which require external components to improve performance, provide bias, or limit current, the CA-IS386x devices only require two external bypass capacitors to operate. To reduce ripple and the chance of introducing data errors, bypass V_{DDA} and V_{ddb} pins with 0.1 μ F to 1 μ F low-ESR ceramic capacitors to GNDA and GNDB respectively. Place the bypass capacitors as close to the power supply input pins as possible. Figure 10- 1 shows typical operating circuit of the CA-IS3863; Figure 10- 2 is the typical applications for CA-IS37xx series products.

The CA-IS386x family devices do not require special power supply sequencing. The logic levels are set independently on either side by V_{DDA} and V_{ddb} supply voltage. When designing with digital isolators, keep in mind that because of the single-ended design structure, digital isolators do not conform to any specific interface standard and are only intended for isolating single-ended CMOS or TTL digital signal lines. The isolator is typically placed between the data controller (that is, MCU or FPGA), and a data converter or a line transceiver, regardless of the interface type or standard. The PCB designer should follow some critical recommendations in order to get the best performance from the design. For the high-speed digital signal circuit boards, we recommend to use the standard FR4 PCB material and a minimum of four layers is required to accomplish a low EMI PCB design. Layer order from top-to-bottom is: high-speed signal layer, ground plane, power plane, and low-frequency signal layer. Also, keep the input/output traces as short as possible, avoid using vias to make low-inductance paths for the signals. Keep the area underneath the digital isolator ICs free from ground and signal planes.

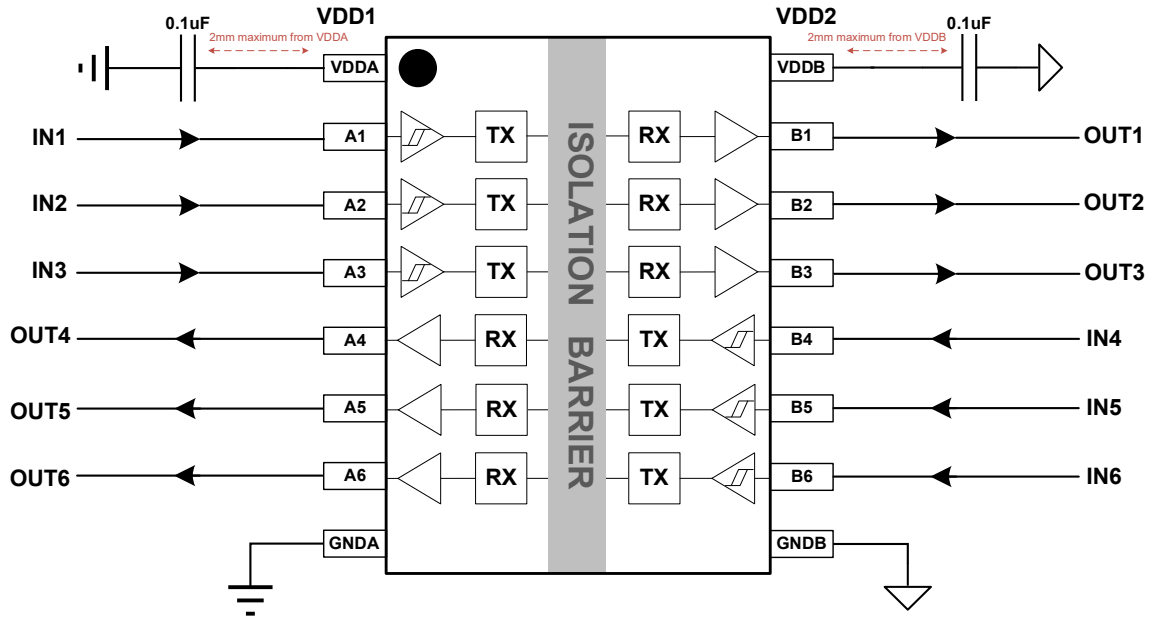


Figure 10- 1 Typical Application Circuit of CA-IS3863

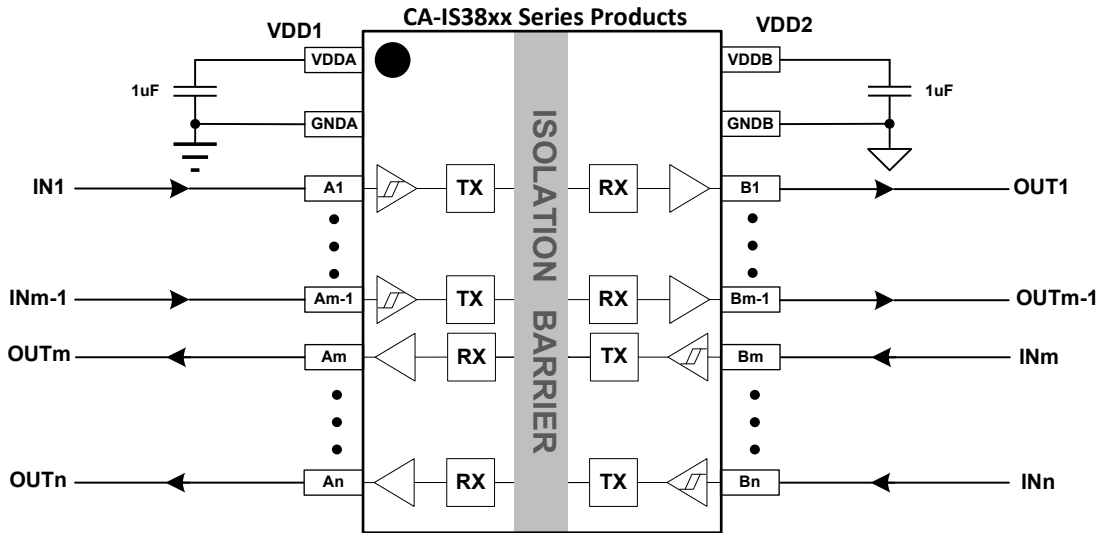
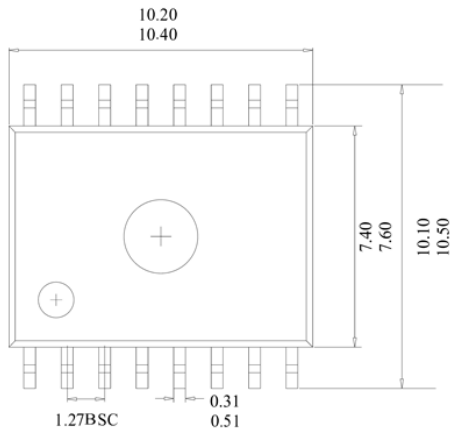


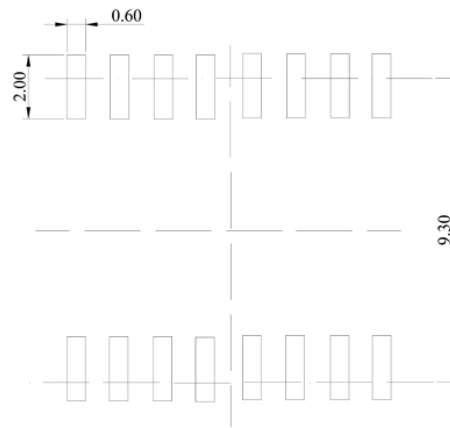
Figure 10- 2 Typical Applications for the CA-IS38xx Series Digital Isolators

11. Package Information

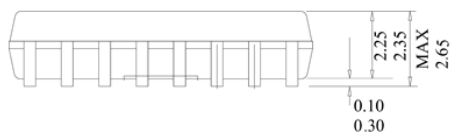
11.1. 16-Pin Wide Body SOIC Package Outline



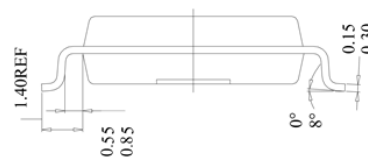
TOP VIEW



RECOMMENDED LAND PATTERN



FRONT VIEW



SIDE VIEW

Note:

1. All dimensions are in millimeters, angles are in degrees.

12. Soldering Temperature (reflow) Profile

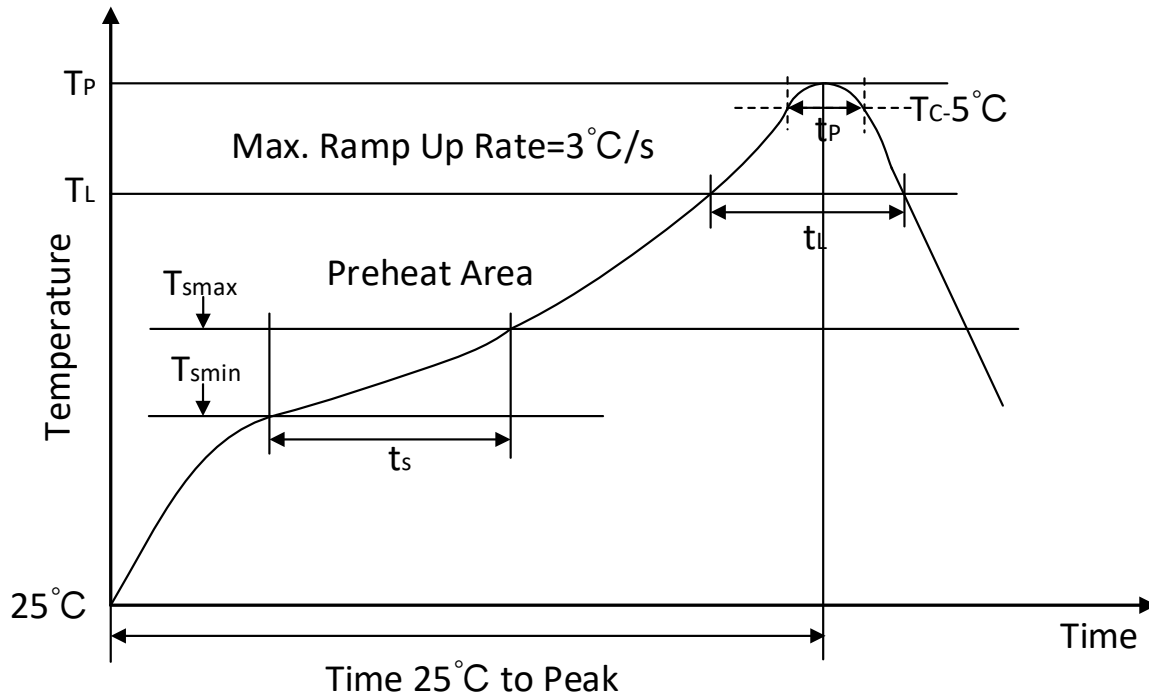
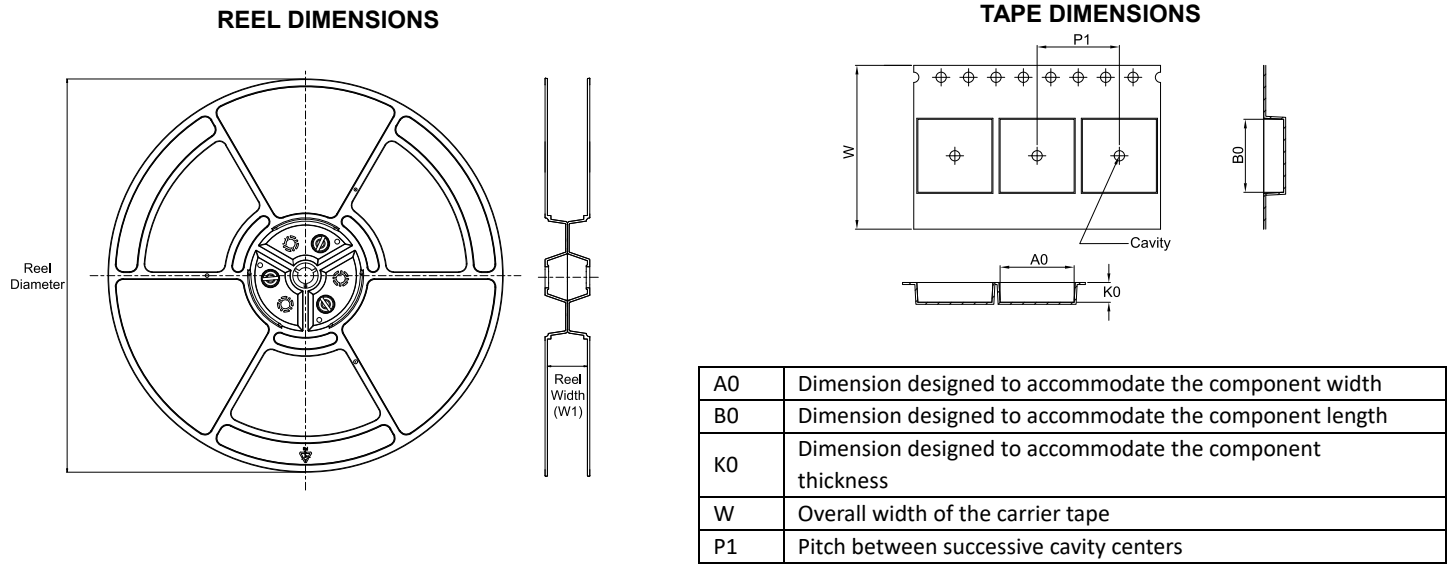


Figure 12- 1 Soldering Temperature (reflow) Profile

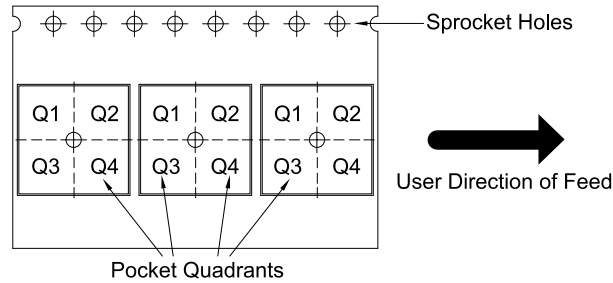
Table 12- 1 Soldering Temperature Parameter

Profile Feature	Pb-Free Assembly
Average ramp-up rate(217 °C to Peak)	3°C /second max
Time of Preheat temp(from 150 °C to 200 °C)	60-120 second
Peak temperature	260 °C
Time to be maintained above 217 °C	60-150 second
Time within 5 °C of actual peak temp	30 second
Ramp-down rate	6 °C/second max.
Time from 25°C to peak temp	8 minutes max

13. Tape and Reel Information



QUADRANT ASSIGNMENTS FOR PIN 1 ORIENTATION IN TAPE



*All dimensions are nominal

Device	Package Type	Package Drawing	Pins	SPQ	Reel Diameter (mm)	Reel Width W1 (mm)	A0 (mm)	B0 (mm)	K0 (mm)	P1 (mm)	W (mm)	Pin1 Quadrant
CA-IS3860LW	SOIC	W	16	1000	330	16.4	10.9	10.7	3.2	12.0	16.0	Q1
CA-IS3860HW	SOIC	W	16	1000	330	16.4	10.9	10.7	3.2	12.0	16.0	Q1
CA-IS3861LW	SOIC	W	16	1000	330	16.4	10.9	10.7	3.2	12.0	16.0	Q1
CA-IS3861HW	SOIC	W	16	1000	330	16.4	10.9	10.7	3.2	12.0	16.0	Q1
CA-IS3862LW	SOIC	W	16	1000	330	16.4	10.9	10.7	3.2	12.0	16.0	Q1
CA-IS3862HW	SOIC	W	16	1000	330	16.4	10.9	10.7	3.2	12.0	16.0	Q1
CA-IS3863LW	SOIC	W	16	1000	330	16.4	10.9	10.7	3.2	12.0	16.0	Q1
CA-IS3863HW	SOIC	W	16	1000	330	16.4	10.9	10.7	3.2	12.0	16.0	Q1

14. Important statement

The above information is for reference only and used for helping Chipanalog customers with design, research and development. Chipanalog reserves the rights to change the above information due to technological innovation without advance notice.

All Chipanalog products pass ex-factory test. As for specific practical applications, customers need to be responsible for evaluating and determining whether the products are applicable or not by themselves. Chipanalog's authorization for customers to use the resources are only limited to development of the related applications of the Chipanalog products. In addition to this, the resources cannot be copied or shown, and Chipanalog is not responsible for any claims, compensations, costs, losses, liabilities and the like arising from the use of the resources.

Trademark information

Chipanalog Inc.® and Chipanalog® are registered trademarks of Chipanalog.



<http://www.chipanalog.com>